

# Instructions for use

## WASHING MACHINE

GB

**GB**

English, 1

**HU**

Magyar, 13

**CZ**

Český, 25

**SK**

Slovenský, 37

**RO**

Română, 49

**PL**

Polski, 61

**WITP 82**

### Contents

#### Installation, 2-3

Unpacking and levelling, 2  
Electric and water connections, 2-3  
The first wash cycle, 3  
Technical details, 3

#### Washing machine description, 4-5

Control panel, 4  
How to open and shut the drum, 5  
Leds, 5

#### Starting and Programmes, 6

Briefly: how to start a programme, 6  
Programme table, 6

#### Personalisations, 7

Setting the temperature, 7  
Functions, 7

#### Detergents and laundry, 8

Detergent dispenser, 8  
Bleach cycle, 8  
Preparing your laundry, 8  
Special items, 8

#### Precautions and advice, 9

General safety, 9  
Disposal, 9  
Saving energy and respecting the environment, 9

#### Care and maintenance, 10

Cutting off the water or electricity supply, 10  
Cleaning your appliance, 10  
Caring for your appliance door and drum, 10  
Cleaning the pump, 10  
Checking the water inlet hose, 10  
Cleaning the detergent dispenser, 10

#### Troubleshooting, 11

#### Service, 12

Before calling for Assistance, 12

# Installation

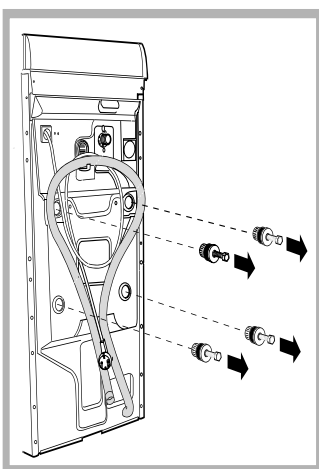
GB

! Keep this instruction manual in a safe place for future reference. Should the appliance be sold, transferred or moved, make sure the instruction manual accompanies the washing machine to inform the new owner as to its operation and features.

! Read these instructions carefully: they contain vital information on installation, use and safety.

## Unpacking and levelling

### Unpacking



1. Unpack the washing machine.

2. Check whether the washing machine has been damaged during transport. If this is the case, do not install it and contact your retailer.

3. Remove the four protective screws and the rubber washer with the respective spacer, situated on the rear of the appliance (see figure).

4. Seal the gaps using the plastic plugs provided.

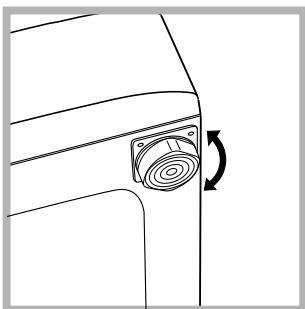
5. Keep all the parts: you will need them again if the washing machine needs to be moved to another location.

Warning: should the screws be re-used, make sure you fasten the shorter ones at the top.

! Packaging materials are not children's toys.

### Levelling

Your machine may make a considerable amount of noise if the two front feet have not been adjusted correctly.



1. Install the washing machine on a flat sturdy floor, without resting it up against walls, furniture cabinets or other.

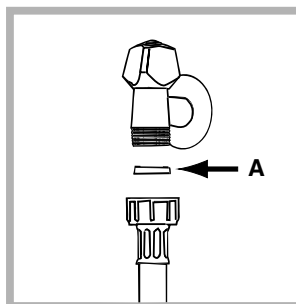
2. If the floor is not perfectly level, compensate for any unevenness by tightening or loosening

the adjustable front feet (see figure); the angle of inclination, measured according to the worktop, must not exceed 2°.

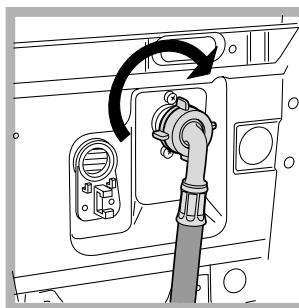
Levelling your appliance correctly will provide it with stability and avoid any vibrations, noise and shifting during operation. If it is placed on a fitted or loose carpet, adjust the feet in such a way as to allow enough room for ventilation beneath the washing machine.

## Electric and water connections

### Connecting the water inlet hose



1. Insert seal A into the end of the inlet hose and screw the latter onto a cold water tap with a 3/4 gas threaded mouth (see figure). Before making the connection, allow the water to run freely until it is perfectly clear.



2. Connect the other end of the water inlet hose to the washing machine, screwing it onto the appliance's cold water inlet, situated on the top right-hand side on the rear of the appliance (see figure).

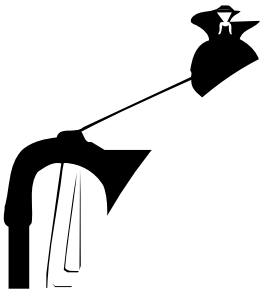
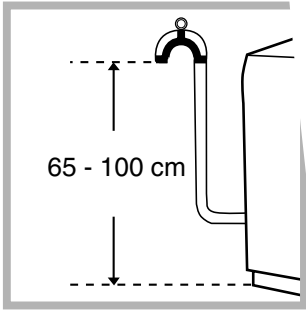
3. Make sure there are no kinks or bends in the hose.

! The water pressure at the tap must be within the values indicated in the Technical details table (on the next page).

! If the water inlet hose is not long enough, contact a specialist store or an authorised serviceman.



### Connecting the drain h



! We r  
case  
sam  
exc/

### Elr

B  
s  
•

! i  
out  
shei  
leave

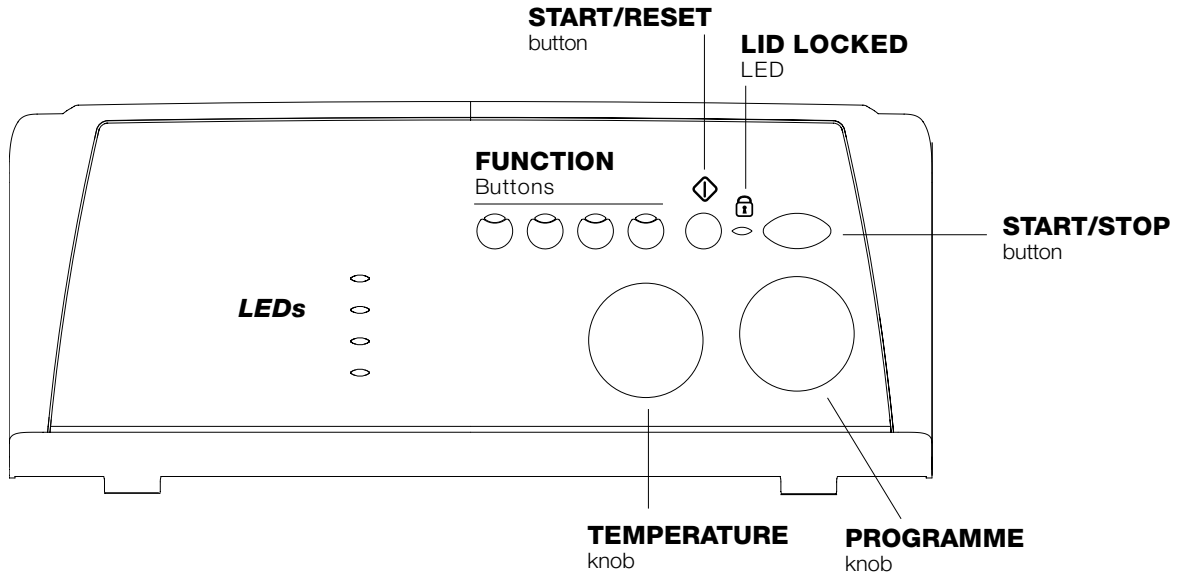
! When ... stalled, the mains  
socket mu ... each.

Troubleshooting
Service

# Washing machine description

GB

## Control panel



**Detergent dispenser** to add detergent and fabric softener (see page 8).

**LEDs** to find out which wash cycle phase is under way. (see page 5).

**FUNCTION** keys to select the functions available. The button corresponding to the function selected will remain on.

**TEMPERATURE** knob to set the temperature or the cold wash cycle (see page 7).

**ON/OFF** key to turn the washing machine on and off.

**START/RESET** key to start the programmes or cancel incorrect settings.

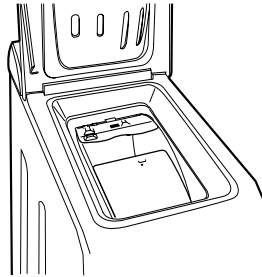
**ON-OFF/LID LOCK** LED, to find out whether the washing machine is on (flashing) and if the lid may be opened (see page 4).

**PROGRAMME** knob to set the programmes (see page 6). The knob stays still during the cycle.

### **ON-OFF/LID LOCK led:**

If this LED is on, the appliance Lid is locked to prevent it from being opened accidentally; to avoid any damages, you must wait for the lamp to flash before you open the Lid.

**!** The rapid flashing of the ON-OFF/LID LOCK Led together with the flashing of at least one other LED indicates there is an abnormality (see pages 11-12 Troubleshooting).




**Fig. 3**

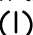
**Fig. 4**

# Starting and Programmes






GB

## Briefly: starting a programme

1. Switch the washing machine on by pressing button . All the LEDs will light up for a few seconds and the ON-OFF/DOOR LOCK Led will begin to flash.
2. Load your laundry into the washing machine, add the detergent and any fabric softener (see page 8) and shut the appliance door.
3. Set the PROGRAMME knob to the programme required.

4. Set the wash temperature (see page 7).
5. Start the programme by pressing the START/RESET button.  
To cancel it, keep the START/RESET button pressed for at least 2 seconds.
6. When the programme is finished, the ON-OFF/DOOR LOCK Led will flash to indicate that the appliance door can be opened. Take out your laundry and leave the appliance door ajar to allow the drum to dry thoroughly. Turn the washing machine off by pressing button .

## Programme table

Type of fabric and degree of soil	Programmes	Wash temperature	Detergent		Fabric softener	Bleaching /option Bleach	Cycle length (minutes)	Description of wash cycle
			Pre-wash	Wash				
<b>Cotton</b>								
Extremely soiled whites (sheets, tablecloths, etc.)	1	90°C	•	•	•		137	Pre-wash, wash cycle, rinse cycles, intermediate and final spin cycles
Extremely soiled whites (sheets, tablecloths, etc.)	2	90°C		•	•	Delicate/Traditional	129	Wash cycle, rinse cycles, intermediate and final spin cycles
Heavily soiled whites and fast colours	3	60°C		•	•	Delicate/Traditional	144	Wash cycle, rinse cycles, intermediate and final spin cycles
Heavily soiled whites and fast colours	4	40°C		•	•	Delicate/Traditional	78	Wash cycle, rinse cycles, intermediate and final spin cycles
Slightly soiled whites and delicate colours (shirts, jumpers, etc.)	5	30°C		•	•	Delicate/Traditional	70	Wash cycle, rinse cycles, intermediate and final spin cycles
<b>Synthetics</b>								
Heavily soiled fast colours (baby linen, etc.)	6	60°C		•	•	Delicate	79	Wash cycle, rinse cycles, anti-crease or delicate spin cycle
Heavily soiled fast colours (baby linen, etc.)	7	50°C		•	•	Delicate	75	Wash cycle, rinse cycles, anti-crease or delicate spin cycle
Delicate colours (all types of slightly soiled garments)	8	40°C		•	•	Delicate	65	Wash cycle, rinse cycles, anti-crease or delicate spin cycle
Delicate colours (all types of slightly soiled garments)	9	30°C		•	•		30	Wash cycle, rinse cycles and delicate spin cycle
<b>Delicate</b>								
Wool- Hand wash	10	40°C		•	•	Delicate	45	Wash cycle, rinse cycles and delicate spin cycle
Very delicate fabrics (curtains, silk, viscose, etc.)	11	30°C		•	•		52	Wash cycle, rinse cycles, anti-crease or draining cycle
<b>PARTIAL PROGRAMMES</b>								
Rinse					•			Rinse cycles and spin cycle
Delicate rinse cycle					•			Rinse cycles, anti-crease or draining
Spin cycle								Draining and heavy duty spin cycle
Delicate spin cycle								Draining and delicate spin cycle
Draining								Draining

## Notes

For the anti-crease function: see *opposite page*. The information contained in the table is purely indicative.

## Special programme

*Daily Refresh* (programme 9 for Synthetics) is designed to wash lightly soiled garments in a short amount of time: it only lasts 30 minutes and allows you to save on both time and energy. By setting this programme (9 at 30°C), you can wash different fabrics together (except for woollen and silk items), with a maximum load of 3 kg.

*We recommend the use of liquid detergent.*



## Setting the temperature

Turn the TEMPERATURE knob to set the wash temperature (see *Programme table on page 6*).  
The temperature can be lowered, or even set to a cold wash (❄).

**!** To avoid excessive vibrations, before every spin cycle the machine distributes the load in a uniform manner by continuously rotating the drum at a speed which is slightly faster than the normal washing speed.  
When, despite repeated attempts, the load is still not evenly distributed, the machine spins at a lower speed than the set frequency.

If the load is excessively unbalanced, the machine attempts to distribute it instead of spinning.  
The balancing attempts may extend the total duration of the cycle, up to a maximum of 10 minutes.

## Functions

To enable a function:

1. press the button corresponding to the desired function, according to the table below;
2. the function is enabled when the corresponding button is illuminated.

Note: The rapid flashing of the button indicates that the corresponding function cannot be selected for the programme set.

Option	Effect	Comments	Enabled with programmes:
 <b>Bleaching</b>	Bleaching cycle designed to remove the toughest stains.	Please remember to pour the bleach into extra compartment 4 (see <i>page 56</i> ).	2, 3, 4, 5, 6, 7, 8 Rinse cycles.
 <b>Extra Rinse</b>	Increases the efficiency of the rinse.	Recommended when the appliance has a full load or with large quantities of detergent.	1, 2, 3, 4, 5, 6, 7, 8 and Rinse cycles.
 800 400	Reduces the spin speed.		All programmes except for 11 and draining.
 <b>Anti-crease</b>	Reduces fabric creasing, making ironing easier.	Setting this function will interrupt programmes 6, 7, 8, 10, 11, Delicate Rinse with a laundry soak (Anti-crease) and the Rinse phase indicator light  will blink.  To complete the cycle, press the Anti-crease button.	6, 7, 8, 10, 11, Delicate Rinse.

GB

Installation

Description

Programmes

Detergents

Precautions

Care

Troubleshooting

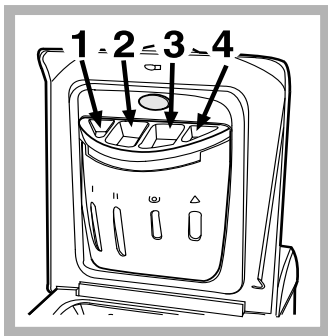
Service

# Detergents and laundry

GB

## Detergent dispenser

Good washing results also depend on the correct dose of detergent: adding too much detergent won't necessarily make for a more efficient wash, and may in fact cause build up on the interior of your appliance and even pollute the environment.



Open up the detergent dispenser and pour in the detergent and fabric softener, as follows.

### compartment 1: Detergent for pre-wash (powder)

### compartment 2: Detergent for the wash cycle (powder or liquid)

Liquid detergent should only be poured in immediately prior to the wash cycle start.

**!** Do not use hand wash detergent because it may form too much foam.

### compartment 3: Additives (fabric softeners, etc.)

When pouring the softener in compartment 3, avoid exceeding the "max" level indicated.

The softener is added automatically into the machine during the last wash. At the end of the wash programme, some water will be left in compartment 3. This is used for the inlet of denser fabric softeners into the machine, i.e. to dilute the more concentrated softeners. Should more than a normal amount of water remain in compartment 3, this means the emptying device is blocked. For cleaning instructions, see page 10.



The fabric softener should not overflow from the grid.

### compartment 4: Bleach

#### Bleach cycle

**Traditional** bleach should be used on sturdy white fabrics, and **delicate** bleach for coloured fabrics, synthetics and for wool.

When pouring in the bleach, be careful not to exceed the "max" level indicated on compartment 4 (see figure).

To run the bleach cycle alone, pour the bleach into compartment 4 and set the Rinse programme  (for cotton fabrics) and push the button  Bleaching.

## Preparing your laundry

- Divide your laundry according to to:
  - the type of fabric/the symbol on the label.
  - the colours: separate coloured garments from whites.
- Empty all pockets and check for loose buttons.
- Do not exceed the weight limits stated below, which refer to the weight when dry:
  - Sturdy fabrics: max 5 kg
  - Synthetic fabrics: max 2.5 kg
  - Delicate fabrics: max 2 kg
  - Wool: max 1 kg

### How much does your laundry weigh?

- 1 sheet 400-500 g
- 1 pillow case 150-200 g
- 1 tablecloth 400-500 g
- 1 bathrobe 900-1,200 g
- 1 towel 150-250 g

## Special items

**Curtains:** fold curtains and place them in a pillow case or mesh bag. Wash them separately without exceeding half the appliance load. Use programme 7 which excludes the spin cycle automatically.

**Quilted coats and windbreakers:** if they are padded with goose or duck down, they can be machine-washed. Turn the garments inside out and load a maximum of 2-3 kg, repeating the rinse cycle once or twice and using the delicate spin cycle.

**Wool:** for best results, use a specific detergent, taking care not to exceed a load of 1 kg.



**!** The washing machine was designed and built in compliance with the applicable international safety regulations. The following information is provided for your safety and should consequently be read carefully.

## General safety

- This appliance has been designed for non-professional, household use and its functions must not be changed.
- This washing machine should only be used by adults and in accordance with the instructions provided in this manual.
- Never touch the washing machine when barefoot or with wet or damp hands or feet.
- Do not pull on the power supply cable to unplug the appliance from the electricity socket. Pull the plug out yourself.
- Do not open the detergent dispenser while the appliance is in operation.
- Do not touch the drain water as it could reach very high temperatures.
- Never force the washing machine door: this could damage the safety lock mechanism designed to prevent any accidental openings.
- In the event of a malfunction, do not under any circumstances touch internal parts in order to attempt repairs.
- Always keep children well away from the appliance while in operation.
- The appliance door tends to get quite hot during the wash cycle.
- Should it have to be moved, proceed with the help of two or three people and handle it with the utmost care. Never try to do this alone, because the appliance is very heavy.
- Before loading your laundry into the washing machine, make sure the drum is empty.

## Disposal

- Disposing of the packaging material: observe local regulations, so the packaging can be re-used.
- Disposal of old electrical appliances  
The European Directive 2002/96/EC on Waste Electrical and Electronic Equipment (WEEE), requires that old household electrical appliances must not be disposed of in the normal unsorted municipal waste stream. Old appliances must be collected separately

in order to optimise the recovery and recycling of the materials they contain and reduce the impact on human health and the environment.

The crossed out "wheeled bin" symbol on the product reminds you of your obligation, that when you dispose of the appliance it must be separately collected.

Consumers should contact their local authority or retailer for information concerning the correct disposal of their old appliance.

- Disposing of an old washing machine: before scrapping your appliance, cut the power supply cable and remove the appliance door.

## Saving energy and respecting the environment

### Environmentally-friendly technology

If you only see a little water through your appliance door, this is because thanks to the latest technology, your washing machine only needs less than half the amount of water to get the best results: an objective reached to respect the environment.

### Saving on detergent, water, energy and time

- To avoid wasting resources, the washing machine should be used with a full load. A full load instead of two half loads allows you to save up to 50% on energy.
- The pre-wash cycle is only necessary on extremely soiled garments. Avoiding it will save on detergent, time, water and between 5 and 15% energy.
- Treating stains with a stain remover or leaving them to soak before washing will cut down the need to wash them at high temperatures. A programme at 60°C instead of 90°C or one at 40°C instead of 60°C will save up to 50% on energy.
- Use the correct quantity of detergent depending on the water hardness, how soiled the garments are and the amount of laundry you have, to avoid wastage and to protect the environment: despite being biodegradable, detergents do contain ingredients that alter the natural balance of the environment. In addition, avoid using fabric softener as much as possible.
- If you use your washing machine from late in the afternoon until the early hours of the morning, you will help reduce the electricity board's peak load.

- If your laundry has to be dried in a tumble dryer, select a high spin speed. Having the least water possible in your laundry will save you time and energy in the drying process.

GB

Installation

Description

Programmes

Detergents

Precautions

Care

Troubleshooting

Service

# Care and maintenance

GB

## Cutting off the water or electricity supply

- Turn off the water tap after every wash. This will limit the wear of your appliance's water system and also prevent leaks.
- Unplug your appliance when cleaning it and during all maintenance operations.

## Cleaning your appliance

The exterior and rubber parts of your appliance can be cleaned with a soft cloth soaked in lukewarm soapy water. Do not use solvents or abrasives.

## Cleaning the detergent dispenser

Remove the dispenser by raising it and pulling it out (see figure).

Wash it under running water; this operation should be repeated frequently.

## Caring for your appliance door and drum

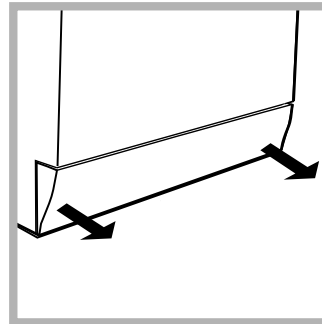
- Always leave the appliance door ajar to prevent unpleasant odours from forming.

## Cleaning the pump

The washing machine is fitted with a self-cleaning pump that does not require any maintenance. Sometimes, small items (such as coins or buttons) may fall into the pre-chamber that protects the pump, situated in the lower part of the same.

! Make sure the wash cycle has ended and unplug the appliance.

To recover any objects that have fallen into the pre-chamber:



1. remove the plinth at the bottom on the front side of the washing machine by pulling from the side with your hands (see figure);
2. unscrew the lid rotating it anticlockwise (see figure): a little water may trickle out. This is perfectly normal;
3. clean the interior thoroughly;
4. screw the lid back on;
5. reposition the panel, making sure the hooks are securely in place before you push it onto the appliance.

## Checking the water inlet hose

Check the water inlet hose at least once a year. If you see any cracks, replace it immediately: during the wash cycles, water pressure is very strong and a cracked hose could easily split open.

! Never use hoses that have already been used.

## How to clean the detergent dispenser

### Disassembly:

Press lightly on the large button on the front of the detergent dispenser and pull it upwards (fig. 1).

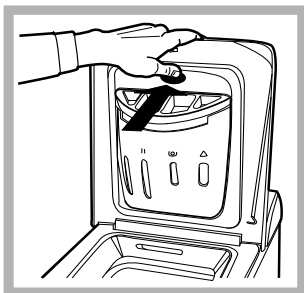


Fig. 1

### Cleaning:

Then clean the dispenser under a tap (fig. 3) using an old toothbrush and, once the pair of siphons inserted in the top of compartments 1 and 2 (fig. 4) have been pulled out, check whether the same are not clogged and then rinse them.

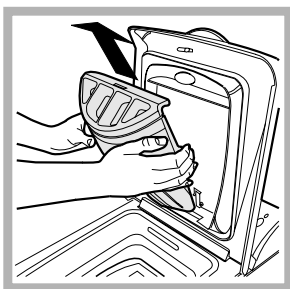


Fig. 2

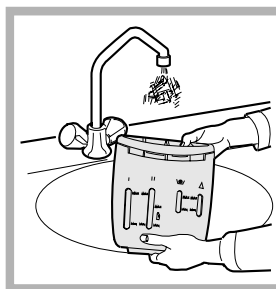


Fig. 3

### Reassembly:

Do not forget to reinsert the pair of siphons into the special housings and then to replace the dispenser into its seat, clicking it into place (fig. 4, 2 and 1).



Fig. 4

Your washing machine could fail to work. Before calling for Assistance (see page 12), make sure the problem can't easily be solved by consulting the following list.

## Problem

## Possible causes/Solution:

**The washing machine won't start.**

- The appliance is not plugged into the socket, or not enough to make contact.
- There has been a power failure.

**The wash cycle won't start.**

- The appliance door is not shut properly. The Lid locked Led flashes.
- The (I) button has not been pressed.
- The START/RESET button has not been pressed.
- The water tap is not turned on.

**The washing machine fails to load water.**

- The water inlet hose is not connected to the tap.
- The hose is bent.
- The water tap is not turned on.
- There is a water shortage.
- The water pressure is insufficient.
- The START/RESET button has not been pressed.

**The washing machine continuously loads and unloads water.**

- The drain hose is not fitted between 65 and 100 cm from the floor (see page 3).
- The free end of the hose is underwater (see page 3).
- The wall drainage system doesn't have a breather pipe.

If the problem persists even after these checks, turn off the water tap, switch the appliance off and call for Assistance. If the dwelling is on one of the upper floors of a building, there may be drain trap problems causing the washing machine to load and unload water continuously. In order to avoid such an inconvenience, special anti-drain trap valves are available in shops.

**The washing machine does not drain or spin.**

- The programme does not foresee the draining: some programmes require enabling the draining manually (see page 6).
- The Easy iron option is enabled: to complete the programme, press the START/RESET button (see page 7).
- The drain hose is bent (see page 3).
- The drain duct is clogged.

**The washing machine vibrates too much during the spin cycle.**

- When the machine is installed, the locking screws for the oscillating assembly are still in place. Remove the screws (see page 2).
- The washing machine is not level (see page 2).
- The washing machine is closed in between furniture cabinets and the wall (see page 2).

**The washing machine leaks.**

- The water inlet hose is not screwed on correctly (see page 2).
- The detergent dispenser is obstructed (to clean it, see page 10).
- The drain hose is not secured properly (see page 3).

**There is too much foam.**

- The detergent is not suitable for machine washing (it should bear the definition "for washing machines" or "hand and machine wash", or the like).
- You used too much detergent. ./. Flwg

./.

GB

Installation

Description

Programmes

Detergents

Precautions

Care

Troubleshooting

Service

...Flwg.

**The ON-OFF/DOOR LOCK Led flashes rapidly at the same time as at least one other LED.**

This means there is a problem with the machine. Before calling Assistance, please follow the set of instructions below:

1. Switch off the machine.
2. Remove the plug connecting the appliance to the mains supply and wait for at least 40 seconds.
3. Place the plug back into the socket.
4. Switch on the machine.
5. If the problem is still evident after this process has been carried out, contact Assistance.

**Before calling for Assistance:**

- Check whether you can solve the problem on your own (*see page 71*);
- Restart the programme to check whether the problem has been solved;
- If this is not the case, contact an authorised Technical Service Centre on the telephone number provided on the guarantee certificate.

! If the machine has been installed or used incorrectly, you may be charged for the maintenance callout service.

! Always request the assistance of authorised servicemen.

**Notify the operator of:**

- the type of problem;
- the appliance model (Mod.);
- the serial number (S/N).

This information can be found on the data plate situated on the rear of the washing machine.

---

Kicsomagolás és vízszintbe állítás, 14  
Víz és elektromos csatlakozás, 14-15  
Első mosási ciklus, 15  
Műszaki adatok, 15

Vezérlőpanel, 16  
A forgódob kinyitása és bezárása, 17  
Visszajelző lámpák, 17

Röviden: egy program elindítása, 18  
Programtáblázat, 18

Hőmérséklet beállítása, 19  
Funkciók, 19

Mosószeradagoló fiók, 20  
Mosandó ruhák előkészítése, 20  
Különleges bánásmódot igénylő darabok, 20  
Fehérítő program, 20

Általános biztonság, 21  
Hulladékelhelyezés, 21  
Környezetvédelem, 21

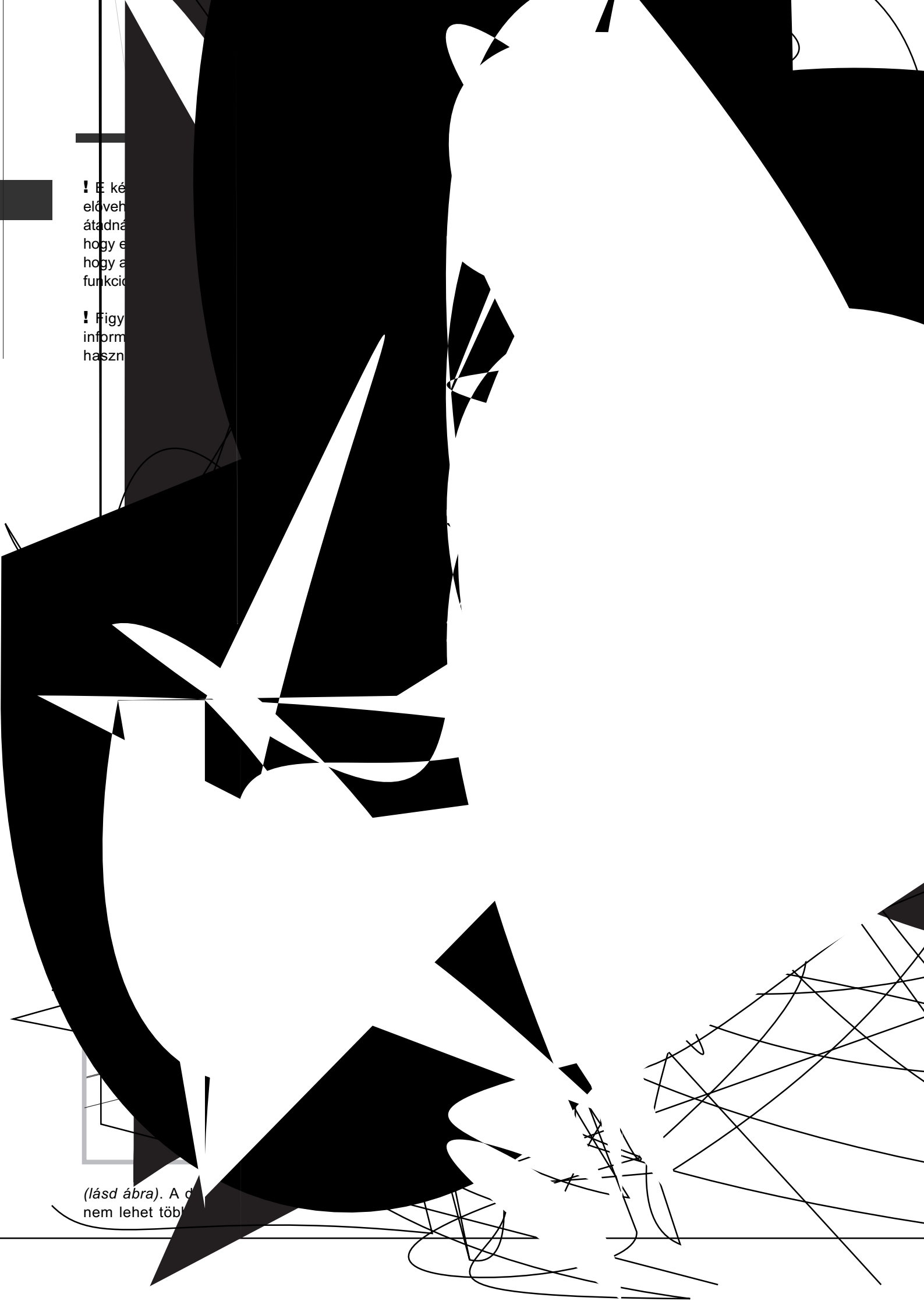
A víz elzárása és az elektromos áram kikapcsolása, 22  
A mosógép tisztítása, 22  
A mosószertartó tisztítása, 22  
Az ajtó és a forgódob gondozása, 22  
A szivattyú tisztítása, 22  
A vízbevezető cső ellenőrzése, 22  
A mosószertartó tisztítása, 22

Mielőtt a Szervizhez fordulna, 24

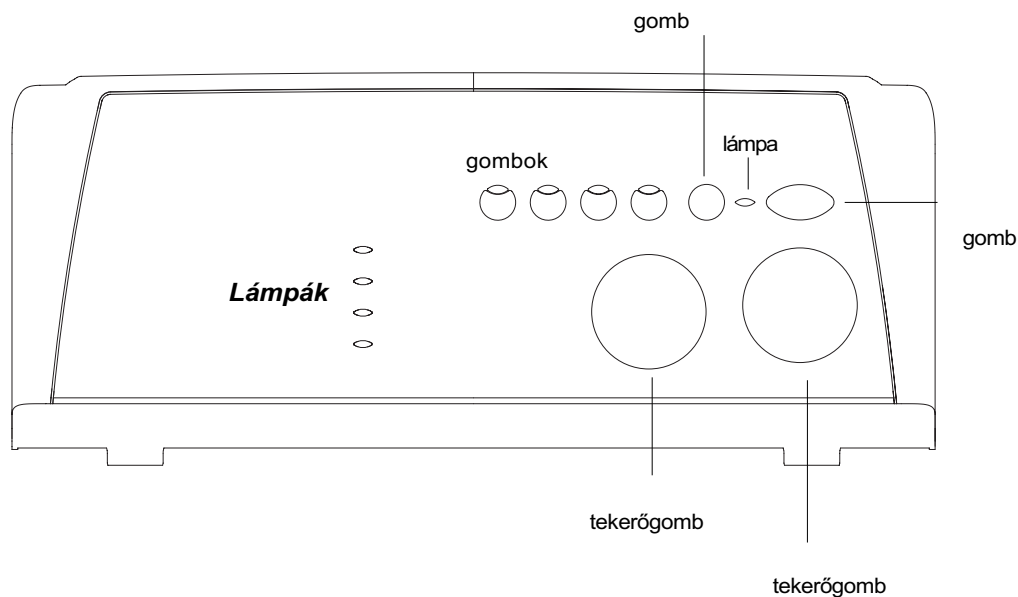
! E ké  
előveh  
átadná  
hogy e  
hogy a  
funkció

! Figy  
inform  
haszn

(lásd ábra). A d  
nem lehet töb







**Mosószer rekesz** a mosószer és adalékanyagok betöltésére (lásd 20. old.).

gomb a mosógép ki- és bekapcsolására.

**Lámpák** a mosási program állapotának jelzésére. (lásd 17. old.).

gomb a programok elindítására vagy a helytelen beállítások törlésére.

gombok az elérhető funkciók kiválasztására. A kiválasztott funkcióhoz tartozó gomb égve marad.

lámpa a mosógép bekapcsolt állapotát (villog) és a fedő nyitható állapotát jelzi (folyamatosan ég) (lásd 16. old.).

tekerőgomb a mosási hőmérséklet vagy a hidegmosás kiválasztására (lásd 19. old.).

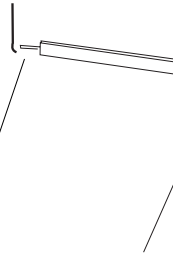
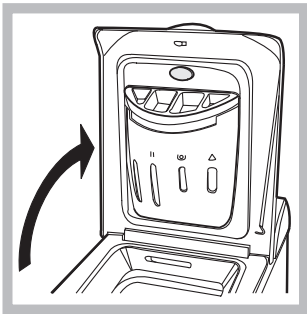
tekerőgomb a programok beállítására (lásd 18. old.).  
A program futása alatt a tekerőgomb nem mozdul.



A világító visszajelző lámpa azt jelzi, hogy a véletlen nyitás megakadályozására a mosógépajtó be van zárva; az esetleges károk elkerülése érdekében, mielőtt kinyitná, várja meg, amíg a lámpa villogni kezd.

A BEKAPCSOLVA/AJTÓ ZÁRVA lámpa gyors villogása és egy másik lámpa egyidejű felvillanása hibát jelez (lásd 23. old.).





A visszajelző lámpák fontos információkkal szolgálnak.

A következők olvashatók le róluk:

A mosás során a visszajelzők egymás után gyulladnak meg, ezzel jelezve a program előrehaladását:

Előmosás

Mosás

Öblítés

Centrifugálás

Megjegyzés: a vízürítés (szivattyúzás) során a centrifugálási fázishoz tartozó visszajelző világít.

A FUNKCIÓ billentyűk visszajelző lámpaként is működnek.






A funkció bekapcsolásakor a hozzá tartozó billentyű világítani kezd.

Ha a kiválasztott funkció a beállított programmal nem fér össze, a billentyű villog, és a funkció nem lesz bekapcsolva.

Abban az esetben, ha egy másik, korábban kiválasztottal össze nem férő funkciót kapcsol be, csak az utolsóként választott marad bekapcsolva.

1. Az (I) billentyű megnyomásával kapcsolja be a mosógépet. Néhány másodpercre az összes visszajelző felgyullad, majd elalszik, és a BEKAPCSOLVA/AJTÓZÁR visszajelző kezd villogni.
2. Rakja be a mosnivalót, töltsse be a mosószeret és adalékanyagokat (lásd 20. oldal), majd zárja össze az dob szárnyait, és csukja le a fedelet !
3. A PROGRAMOK tárcsával állítsa be a kívánt mosóprogramot.

4. Állítsa be a mosási hőmérsékletet (lásd 19. oldal).
5. A START/RESET billentyű megnyomásával indítsa el a programot.  
A törléshez tartsa nyomva a START/RESET billentyűt legalább 2 másodpercen keresztül.
6. A program végeztével a BEKAPCSOLVA/AJTÓZÁR visszajelző villog, azt jelezve, hogy az ajtót ki lehet nyitni. Vegye ki a mosott ruhát, és az ajtót hagyja kicsit nyitva, hogy a dob kiszáradhasson. Az (I) billentyűvel kapcsolja ki a mosógépet.

Kelmék és a szennyeződés természete	Programok	Hőmérséklet	Mosószer		Öblítőszer	Fehérités / Fehéritőszer opció	Ciklus időtartama (perc)	Mosóciklus leírása
			Előmosás	Mosás				
<b>Pamut</b>								
Különösen szennyezett fehér anyagok (lepedő, aszalterítő, stb.)	1	90°C	•	•	•		137	Előmosás, mosás, öblítések, köztes és végső centrifugálások
Különösen szennyezett fehér anyagok (lepedő, aszalterítő, stb.)	2	90°C		•	•	Kíméletes / Hagyományos	129	Mosás, öblítések, köztes és végső centrifugálások
Nagyon szennyezett tartós fehér és színes anyagok	3	60°C		•	•	Kíméletes / Hagyományos	144	Mosás, öblítések, köztes és végső centrifugálások
Kevéssé szennyezett fehér és kényes színes anyagok (ingek pulóverek, stb.)	4	40°C		•	•	Kíméletes / Hagyományos	78	Mosás, öblítések, köztes és végső centrifugálások
Kevéssé szennyezett kényes színes anyagok	5	30°C		•	•	Kíméletes / Hagyományos	70	Mosás, öblítések, köztes és végső centrifugálások
<b>Szintetikus anyagok</b>								
Nagyon szennyezett tartós színes anyagok (csecsemőruházat, stb.)	6	60°C		•	•	Kíméletes	79	Mosás, öblítések, gyűrődésgátlás vagy kíméletes centrifugálás
Nagyon szennyezett tartós színes anyagok (csecsemőruházat, stb.)	7	50°C		•	•	Kíméletes	75	Mosás, öblítések, gyűrődésgátlás vagy kíméletes centrifugálás
Kényes színes anyagok (mindenfajta enyhén szennyezett ruházat)	8	40°C		•	•	Kíméletes	65	Mosás, öblítések, gyűrődésgátlás vagy kíméletes centrifugálás
Kényes színes anyagok (mindenfajta enyhén szennyezett ruházat)	9	30°C		•	•		30	Mosás, öblítések és kíméletes centrifugálás
<b>Kényes anyagok</b>								
Gyapjú	10	40°C		•	•	Kíméletes	45	Mosás, öblítések és kíméletes centrifugálás
Nagyon kényes kelmék (függönyök, selyem, viszkóz, stb.)	11	30°C		•	•		52	Mosás, öblítések, gyűrődésgátlás vagy szivattyúzás
<b>RÉSZLEGES PROGRAMOK</b>								
Öblítés					•			Öblítések és centrifugálás
Kíméletes öblítés					•			Öblítések, gyűrődésgátlás vagy szivattyúzás
Centrifugálás								Szivattyúzás és erős centrifugálás
Kíméletes centrifugálás								Szivattyúzás és kíméletes centrifugálás
Szivattyúzás								Szivattyúzás

A gyűrődésgátlás leírásához: lásd Vasalj kevesebbet, szemben lévő oldal. A táblázatban szereplő értékek tájékoztató jellegűek.

Napközbeni 30' (9-es program szintetikus anyagokhoz) programot kevésbé szennyezett ruhák gyors mosására fejlesztettük ki: mindössze 30 percig tart, így energiát és időt takarít meg. A 9-es programot 30°C hőmérsékletre beállítva különböző jellegű anyagokat együttesen lehet mosni (kivéve gyapjú és selyem), maximum 3 kg-os töltéssel. *Folyékony mosószer használatát javasoljuk.*



A mosási hőmérsékletet a HŐMÉRSÉKLET tárcsa elforgatásával lehet beállítani (lásd a Programtáblázatot a 18. oldalon).

A hőmérsékletet a hideg vízzel történő mosásig lehet csökkenteni .

**!** A minden centrifugálás elején jelentkező túlzott vibrálás elkerülése érdekében a készülék egyenletesen elosztja a bepakolt ruhákat a dob folyamatos, a mosási sebességnél valamivel gyorsabb forgatásával. Ha azonban az ismételt próbálkozások ellenére sem sikerül a bepakolt ruhát tökéletesen elosztani, a készülék a beállítottnál kisebb fordulatszámon fog centrifugálni.





Abban az esetben, ha túlságosan nagy a kiegyensúlyozatlanság, a készülék végzi el az elosztást a centrifuga helyett.

A kiegyensúlyozásra tett esetleges próbálkozások maximum 10 perccel nyújthatják meg a ciklus teljes időtartamát.

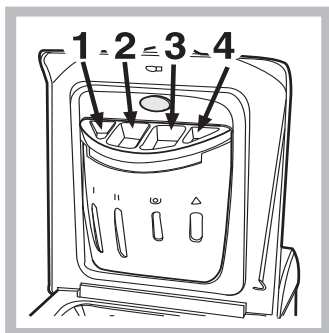
A mosógép különféle mosófunkciói lehetővé teszik a kívánt tisztítás és fehérség elérését. A funkciók bekapcsolásához:

1. nyomja meg a kívánt funkcióhoz tartozó billentyűt, az alábbi táblázat szerint;
2. a billentyű világítása azt jelzi, hogy a hozzá tartozó funkció be van kapcsolva.

Megjegyzés: A gyors villogás azt jelenti, hogy a beállított programhoz a billentyűhöz tartozó funkció nem kapcsolható be.

Funkciók	Hatás	Megjegyzések a használathoz	A következő programokkal működik:
 <b>Fehérités</b>	A fehérités ciklus a legmakacsabb foltok eltávolítására alkalmas.	Ne felejtse al a fehéritőszert a 4-es berakható tartályba tölteni (lásd 20. oldal).	<b>2, 3, 4, 5, 6, 7, 8 Öblítések.</b>
 <b>Extra Öblítés</b>	Növeli az öblítés hatékonyságát.	A mosógép teljes töltése esetén vagy nagymennyiségű mosószeraadagolás esetén javasolt.	<b>1, 2, 3, 4, 5, 6, 7, 8, Öblítések.</b>
<b>800 400</b>	Csökkenti a centrifuga fordulatszámát.		<b>Mind egyik, kivéve a 11-et és a szivattyúzást.</b>
 <b>Gyűrődésgátlás</b>	Csökkenti az anyagon a ráncokat, megkönnyítve a vasalást.	Ezen opciót beállítva a 6-os, 7-es, 8-as, 11-es programok és a kíméletes öblítés félbeszakad úgy, hogy a mosott ruha az öblítővízben marad (Gyűrődésgátlás), és az öblítési  fázist jelző lámpa villog: A ciklus befejezéséhez nyomja meg a Gyűrődésgátlás gombot.	<b>6, 7, 8, 10, 11, kíméletes öblítés</b>

A mosás eredményessége függ a mosószer helyes adagolásától is: ha túl sokat adagol belőle, a mosás nem lesz hatékonyabb, de hozzájárul ahhoz, hogy lerakódás képződjön a mosógépben, valamint a környezetet is jobban szennyezi.



Húzza ki a mosószeradagoló fiókot, és a következőképpen tegye bele a mosószert vagy az adalékot.



- Osztályozza a mosandókat a következők szerint:
  - kelme típusa / címkén lévő szimbólum.
  - színek: válogassa külön a színes ruhákat a fehérektől.
- Ürítse ki a zsebeket, és vizsgálja meg a gombokat.
- Ne lépje túl a mosandók száraz súlyára vonatkozóan megadott értékeket:  
Tartós anyagok: max. 5 kg  
Szintetikus anyagok: max. 2,5 kg  
Kényes anyagok: max. 2 kg  
Gyapjú: max. 1 kg

1 lepedő 400-500 g.  
1 párnahuzat 150-200 g.  
1 asztalterítő 400-500 g.  
1 fürdőköpeny 900-1200 g.  
1 törülköző 150-250 g.

A folyékony mosószert helyezze közvetlen a rekeszbe az erre a célra kialakított mérőedénybe.

Amikor a 3. rekeszbe betölti a lágyítószert, ügyeljen rá, hogy ne lépje túl a "max" jelzést. A lágyítószer automatikusan belekerül a mosógépbe az utolsó öblítéskor. A program végén a 3. rekeszben bizonyos mennyiségű víz marad. Ez a túlságosan sűrű lágyítószer feloldására, vagy a koncentrátumok hígítására szolgál. Ha a 3. rekeszben több víz marad, mint általában, az az ürítónyílás eltömődését jelenti. A kitisztításához lásd 22. oldal.

**!** Ne használjon kézimosószert, mert túlzottan sok hab képződik.

A fehérítő programot az erős fehér szövetekhez, míg a fehérítést a színes, szintetikus és gyapjú ruhákhoz használja. A fehérítő adagolásakor ügyeljen arra, hogy ne lépje túl a 4-es rekesz "max" jelzését (lásd ábra). A fehérítő adagolásakor ügyeljen arra, hogy ne lépje túl a 4-es rekesz "max" jelzését (lásd ábra). Ha csak fehéríteni szeretne, öntse a fehérítőt a 4. rekeszbe, állítsa be az Öblítés programot  és nyomja meg a Folteltávolítás  funkciógombot.

hajtogatva tegye párnahuzatba (vászonzsákba) vagy hálós zacskóba. Külön mossa őket, és ne lépje túl a fél töltésnyi mennyiséget. Használja a 11-es programot, amelyik automatikusan kikapcsolja a centrifugálást.

ha a benne lévő liba vagy kacsatoll mosógépben mosható. Fordítsa ki a darabokat, és egyszerre legfeljebb 2-3 kg-nyit mosson úgy, hogy egyszer vagy kétszer megismétli az öblítést, és kíméletes centrifugálást használ.

tisztítsa meg a sártól. Együtt moshatók a farmer és más tartós anyagokkal, de nem a fehér ruhadarabokkal.

a legjobb eredmény elérése érdekében használjon speciális mosószert (gyapjúmosószert), és ne lépje túl az 1 kg ruhatöltetet.

! A mosógépet a nemzetközi biztonsági szabványoknak megfelelően tervezték és gyártották. Ezeket a figyelmeztetéseket biztonsági okokból írjuk le, és figyelmesen el kell olvasni őket.

- A mosógépet csak felnőtt használhatja, és csak az e használati utasításban megadott utasítások szerint.
- Ne érjen a géphez mezítláb, illetve vizes vagy nedves kézzel vagy lábbal.
- A csatlakozódugót az aljzatból ne a kábelt, hanem a csatlakozót fogva húzza ki.
- Ne nyissa ki a mosószeradagoló fiókot, ha a mosógép működik.
- Ne nyúljon a leeresztett vízbe, mert forró lehet.
- Semmiképpen ne feszegesse az ajtót: megsérülhet a véletlen nyitást akadályozó biztonsági retesz.
- Hiba esetén semmiképpen se nyúljon a gép belső részeihez, és ne próbálja megjavítani.
- Mindig ügyeljen arra, hogy gyerekek ne mehessenek a működő gép közelébe.
- A mosás során az ajtó meleg lehet.
- Amennyiben a gépet át kell helyezni, két vagy három személy végezze, maximális figyelemmel. Soha sem egyedül, mert a gép nagyon súlyos.
- A mosandó berakása előtt ellenőrizze, hogy a forgódob üres legyen.
- Öreg mosógép kidobása: mielőtt a hulladékok közé helyezné, tegye használhatatlanná úgy, hogy elvágja a hálózati kábelt, és letépi az ajtót.
- 

Az elektromos készülékek megsemmisítéséről szóló európai direktíva 2002/96/EC előírja, hogy a régi háztartási gépeket nem szabad a normál nem szelektív hulladékgyűjtési folyamat során összegyűjteni. A régi gépeket szelektíven kell összegyűjteni, hogy optimalizálni lehessen a bennük

lévo anyagok újrahasznosítását és csökkenteni lehessen az emberi egészségre és környezetre gyakorolt hatásukat. Az áthúzott "szemeteskuka" jele emlékezteti Önt arra, hogy kötelessége ezeket a termékeket szelektíven összegyűjteni.

A fogyasztóknak a helyi hatóságot vagy kereskedőt kell felkeresniük a régi háztartási gépek helyes elhelyezését illetően.

Ha az ajtó üvegén keresztül kevés víz látszik, az azért van, mert az új technológiának köszönhetően az Indesittak a felénél kevesebb víz is elég ahhoz, hogy maximális tisztítóhatást érjen el: egy olyan cél, amelyet a környezet megóvása érdekében tűztünk ki.

- Annak érdekében, hogy ne pazaroljunk az erőforrásokkal, a mosógépet teljes ruhatöltettel kell használni. Egy teljes ruhatöltettel való mosás két feltöltet helyett, akár 50% energia megtakarítást is lehetővé tehet.
- Az előmosás csak nagyon szennyezett ruhák esetén szükséges. Ha nem használja, azzal mosószert, időt és 5-15% energiát takarít meg.
- Ha a foltokat a mosás előtt folttisztítóval kezeli, és beáztatja, kevesebb szükség lesz a magas hőmérsékletű mosásra. A 60°C-on történő mosás a 90°C helyett, vagy 40°C-on 60°C helyett akár 50% energiamegtakarításhoz is vezethet.
- Ha a mosószert a víz keménysége, a szennyezettség mértéke és a ruha mennyisége alapján helyesen adagolja, elkerüli a pazarlást és nem terheli feleslegesen a környezetet: még, ha biológiailag lebomló fajtájúak is, a mosószerek olyan összetevőket tartalmaznak, amelyek megváltoztatják a természet egyensúlyát. Ezen kívül, kerülje az öblítőszeres használatát, amennyire csak lehet.
- Ha a késő délután és a kora hajnal közötti időszakban mos, akkor hozzájárul ahhoz, hogy csökkentse az áramszolgáltató vállalatok terhelését.
- Ha a mosott ruhákat utána szárítógépben szárítja, magas fordulatszámú centrifugálást válasszon. Ha a mosott ruhában kevés a víz, időt és energiát takarít meg a szárítóprogramnál.

- Minden mosás után zárja el a vízcsapot. Így kíméli a mosógép vízrendszerét, és megszünteti a vízszivárgás kockázatát.
- Húzza ki a hálózati csatlakozódugót az aljzatból, amikor a mosógépet tisztítja vagy karbantartást végez.

A külső részeket és a gumi részeket langyos szappanos vizes ronggyal tisztíthatja. Ne használjon oldószert vagy súrolószert.

Vegye ki a fiókot úgy, hogy felemeli és kifelé húzza (lásd ábra).

Folyóvíz alatt mossa ki. Ezt a tisztítást gyakran el kell végezni.

- Az ajtót hagyja mindig részre nyitva, nehogy rossz szagok keletkezzenek.

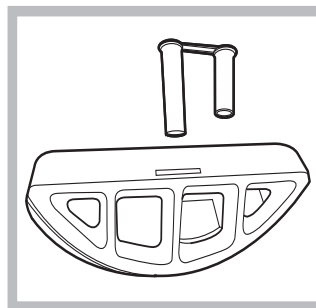
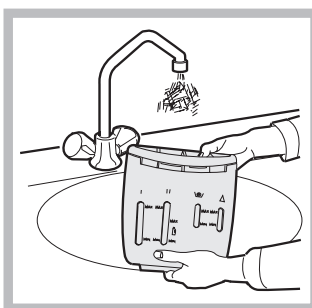
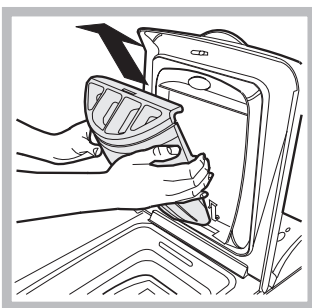
A mosógép öntisztító szivattyúval van felszerelve, melynek nincs szüksége tisztítási és karbantartási műveletekre. Az azonban megtörténhet, hogy kis tárgyak kerülnek (aprópénz, gomb) a szivattyút védő előkamrába, ami a szivattyú alsó részén található.

! Győződjön meg róla, hogy a mosóprogram véget ért, és húzza ki a hálózati csatlakozót.

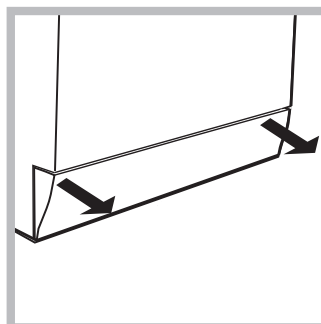
Enyhe nyomást gyakorolni a mosószertartó elülső részén levő nagy nyomógombra és felfelé kihúzni (1. ábra).

Ezután kitesztítani vízcsap alatt a tartót (3. ábra) egy régi fogkefe segítségével és az 1-es és 2-es rekeszek felső részébe illesztett két szivornyát kihúzva (4. ábra) megvizsgálni, hogy azok ne legyenek eltömődve majd leöblíteni.

Ne felejtse el visszailleszteni a két szivornyát a megfelelő helyére és végül a tokjába beakasztva visszatenni a tartót.



Az esetlegesen a dob mellé esett tárgyak kiemeléséhez:



1. vegye le a mosógép elülső oldalán alul elhelyezkedő részt kézzel meghúzva a szélén (lásd ábra);

2. az óra járásával ellentétes irányban forgatva csavarja le a fedelet (lásd ábra): természetes, hogy egy kevés víz kifolyik;

3. gondosan tisztítsa ki a belsejét;

4. csavarja vissza a fedelet;

5. szerelje vissza a panelt úgy, hogy mielőtt azt a gép felé nyomná,

meggyőződik arról, hogy a horgok a hozzájuk tartozó furatokba illeszkednek.

Évente legalább egyszer ellenőrizze a gumicsövet. Ki kell cserélni, ha repedezett vagy hasadozott: a mosás során a nagy nyomás hirtelen szakadást okozhat.

! Soha ne alkalmazzon már használt csöveket.

Megtörténhet, hogy a mosógép nem működik. Mielőtt felhívna a Szervizt (lásd 24. oldal) ellenőrizze, hogy nem olyan problémáról van szó, amely a következő lista segítségével egyszerűen megoldható.

- A hálózati csatlakozódugó nincs bedugva az aljzatba, vagy nem eléggé ahhoz, hogy jól érintkezzen.
  - Nincs áram a lakásban.
  - Az ajtó nincs jól becsukva (a Fedő Blokkolva lámpa villog).
  - Nem nyomta meg az (I) billentyűt.
  - Nem nyomta meg a START/RESET billentyűt.
  - A vízcsap nincs nyitva.
  - A vízbevezető cső nincs csatlakoztatva a csaphoz.
  - A cső meg van törve.
  - A vízcsap nincs nyitva.
  - A lakásban nincs víz.
  - Nincs elegendő nyomás.
  - Nem nyomta meg a START/RESET billentyűt.
  - A leeresztőcső nem a padlószinttől 65 és 100 cm közötti magasságban van felszerelve (lásd 15. oldal).
  - A leeresztőcső vége vízbe merül (lásd 15. oldal).
  - A fali szifonnak nincs szellőzése.
- Ha ezen vizsgálatok után a probléma nem oldódik meg, zárja el a vízcsapot, kapcsolja ki a mosógépet és hívja ki a szervizszolgálatot. Ha a lakás egy épület legfelsőbb emeleteinek egyikén található, lehetséges, hogy a csatorna-szellőző eltömődésének jelensége (szivornyahatás) lépett fel, ezért a mosógép folytonosan szívja és leereszti a vizet. Ezen kellemetlenség elkerülésére a kereskedelmi forgalomban rendelkezésre állnak csatorna-szellőző szelepek.
- A program nem ereszti le a vizet: némelyik programnál manuálisan kell elindítani (lásd 18. oldal).
  - Be van kapcsolva a Vasalj kevesebbet opció: a program befejezéséhez nyomja meg a START/RESET billentyűt (lásd 19. oldal).
  - A leeresztőcső meg van törve (lásd 15. oldal).
  - A lefolyó el van dugulva.
  - Az üzembehelyezéskor nem távolították el a forgódob rögzítését (lásd 14. oldal).
  - A mosógép nem áll vízszintben (lásd 14. oldal).
  - A mosógép a bútor és a fal köté van szorítva (lásd 14. oldal).
  - A vízbevezető cső nincs jól felcsavarva (lásd 14. oldal).
  - A mosószeradagoló fiók eltömődött (a tisztítást lásd a 22. oldalon).
  - A leeresztőcső nincs jól rögzítve (lásd 15. oldal).
  - Kapcsolja ki a készüléket és húzza ki a dugót a konnektorból, várjon körülbelül 1 percet, majd indítsa újra. Ha a hiba továbbra is fennáll, forduljon a szervizhez.
  - A mosószer nem mosógépekhez való (kell, hogy szerepeljen rajta, hogy „gépi”, „kézi vagy gépi mosáshoz”, vagy hasonló).
  - Túl sok mosószert használt.

- 
- Győződjön meg arról, hogy a hibát nem tudja maga is elhárítani (*lásd 23. oldal*);
  - Újból indítsa el a programot, hogy lássa, elhárította-e a hibát;
  - Ellenkező esetben forduljon a megbízott Szakszervizhez: a telefonszámot a garanciajegyen találja.
  - ! Soha ne forduljon nem megbízott szerelőhöz.

- a meghibásodás jellegét;
- a mosógép modelljét (Mod.);
- a gyártási számot (Sorsz.).

Ezen információk a mosógép hátsó részére felerősített táblán találhatóak.



---

Rozbalení a vyrovnaní do vodorovné polohy, 26  
Připojení k elektrické síti a k rozvodu vody, 26-27  
První prací cyklus, 27  
Technické údaje, 27

Ovládací panel, 28  
Jak se otvírá a zavírá prací buben, 29  
Kontrolky, 29

Ve zkratce: uvedení pracího programu do chodu, 30  
Tabulka programů, 30

Nastavení teploty, 31  
Funkce, 31

Dávkovač pracích prostředků, 32  
Cyklus bělení, 32  
Příprava prádla, 32  
Oděvy vyžadující zvláštní péči, 32  
Kašmír Platinum, 32

Základní bezpečnostní pokyny, 33  
Likvidace, 33  
Jak ušetřit a brát ohled na životní prostředí, 33

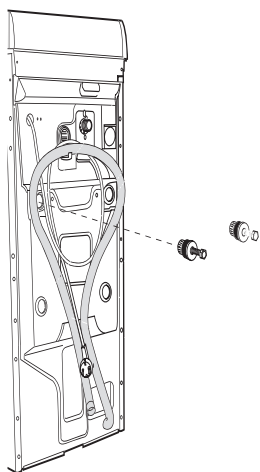
Uzavření přívodu vody a  
vypnutí elektrického napájení, 34  
Čištění pračky, 34  
Čištění dávkovače pracích prostředků, 34  
Péče o dvířka a buben, 34  
Čištění čerpadla, 34  
Kontrola přítokové hadice, 34  
Jak se čistí dávkovač pracích prostředků, 34

Před přivoláním servisní služby, 36

**!** Je velmi důležité uschovat tento návod za účelem jeho další konzultace. V případě prodeje, darování anebo přestěhování pračky se ujistěte, že zůstane uložen v blízkosti pračky, aby mohl posloužit novému majiteli při seznámení se s činností a s příslušnými upozorněními.

**!** Pozorně si přečtěte uvedené pokyny: obsahují důležité informace týkající se instalace, použití a bezpečnosti při práci.

Dokonalé vyrovnaní do vodorovné polohy zabezpečí stabilitu zařízení a zamezí vzniku vibrací a hluku během činnosti. V případě instalace na podlahovou krytinu anebo na koberec, nastavte nožičky tak, aby pod pračkou zůstal dostatečný volný prostor pro ventilaci.

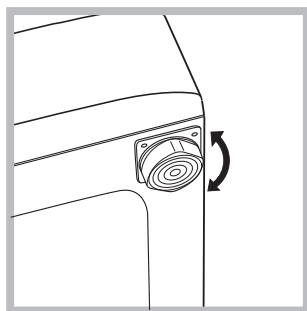


1. Rozbalte pračku.
2. Zkontrolujte, zda během přepravy nedošlo k jejímu poškození. V případě, že je poškozena, nezapojte ji a obraťte se na prodejce.
3. Odstraňte čtyři šrouby s gumovou podložkou a s příslušnou rozpěrkou, nacházející se v zadní části sloužící na ochranu během přepravy.

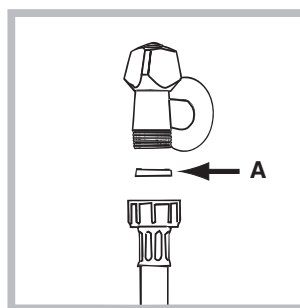
4. Uzavřete otvory po šroubech plastovými krytkami.
5. Uschovejte všechny díly: v případě opětovné přepravy pračky je bude třeba namontovat zpátky.

v případě opětovného použití musí být kratší šrouby použity na montáž v horní poloze.

**!** Obaly nejsou hračky pro děti

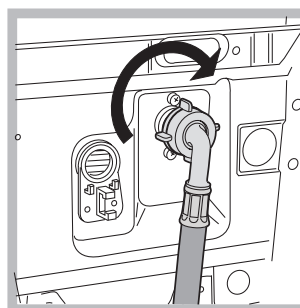


šroubováním předních nožek . Úhel sklonu, naměřen na pracovní ploše, nesmí přesáhnout 2°.



1. Vložte těsnění A do koncové části přítokové hadice a připevněte ji k uzávěru studené vody se závitem 3/4"

Před připojením hadice nechte vodu odtéci, dokud nebude průzračná.

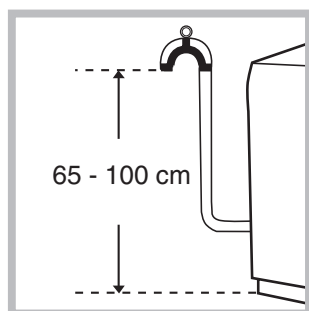


2. Připojte přítokovou hadici k pračce prostřednictvím příslušného vstupního hrdla, umístěného vpravo nahoře

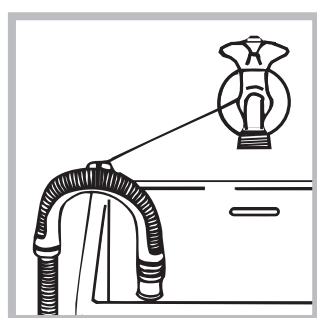
3. Dbejte na to, aby hadice nebyla příliš ohnuta anebo stlačena.

**!** Tlak v rozvodu vody se musí pohybovat v rozmezí hodnot uvedených v tabulce s technickými údaji

**!** V případě, že délka přítokové hadice nebude dostatečná, obraťte se na specializovanou prodejnu anebo na autorizovaný technický personál.



Připojte vypouštěcí hadici, k odpadovému potrubí anebo k odpadu ve stěně, nacházejícímu se od 65 do 100 cm nad zemí; zamezte jejímu ohybu;



anebo ji zachyťte na okraj umývadla či vany, a připevněte ji ke kohoutku prostřednictvím držáku z příslušenství. Volný konec vypouštěcí hadice nesmí zůstat ponořen do vody.

! Použití prodlužovacích hadic se nedoporučuje; je-li však nezbytné, prodlužování hadice musí mít stejný průměr jako originální hadice a její délka nesmí přesáhnout 150 cm.

Před zasunutím zástrčky do zásuvky se ujistěte, že:

- zásuvka je uzemněna a že vyhovuje normám;
- zásuvka je schopna snést maximální zátěž odpovídající jmenovitému příkonu zařízení, uvedenému v tabulce technickými údaji ;
- hodnota napájecího napětí odpovídá údajům uvedeným v tabulce s technickými údaji ;
- zásuvka je kompatibilní se zástrčkou pračky. V opačném případě je třeba vyměnit zástrčku.

! Pračka nesmí být umístěna venku – pod širým nebem, a to ani v případě, kdyby se jednalo o místo chráněné před nepřízní počasí, protože je velmi nebezpečné vystavit ji působení deště a bouří.

! Po definitivním umístění pračky musí zásuvka zůstat lehce přístupná.

! Nepoužívejte prodlužování kabely a rozvodky.

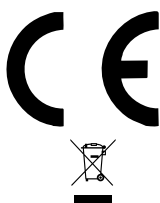
! Kabel nesmí být ohnut anebo stlačen.

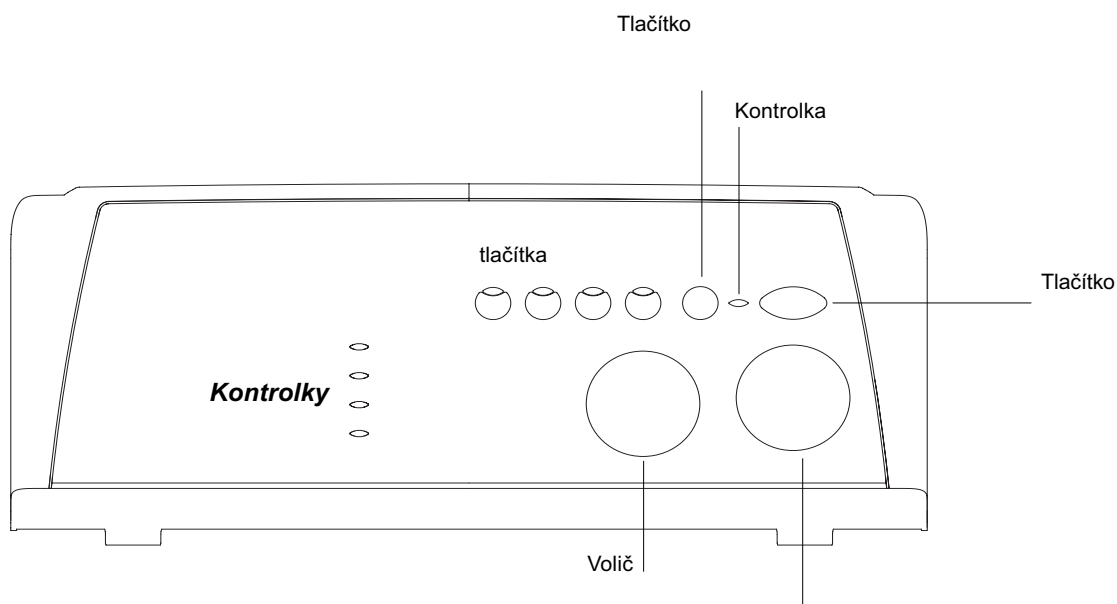
! Výměna kabelu musí být svěřena výhradně autorizovanému technickému personálu.

Upozornění! Výrobce neponese žádnou odpovědnost za následky nerespektování uvedených předpisů.

Po nastavení pračky, před jejím použitím na praní prádla, je třeba provést jeden zkušební cyklus, s pracím prostředkem a bez náplně prádla, při teplotě 90°C, bez předírání.

### Technické údaje

<b>Model</b>	WITP 82
<b>Rozměry</b>	šířka 40 cm výška 85 cm hloubka 60 cm
<b>Kapacita</b>	od 1 do 5 kg
<b>Napájení</b>	napětí 220/230 V 50 Hz maximální příkon 1850 W
<b>Připojení k rozvodu vody</b>	maximální tlak 1 MPa (10 bar) minimální tlak 0.05 MPa (0.5 bar) kapacita bubny 42 litrů
<b>Rychlost odstředování</b>	až do 800 otáček za minutu
<b>Kontrolní program podle normy IEC456</b>	program 2; teplota 60°C; náplň 5 kg prádla.
	Toto zařízení odpovídá následujícím normám Evropské unie: - 73/23/EHS z 19/02/73 (Nízké napětí) v platném znění - 89/336/EHS z 03/05/89 (Elektromagnetická kompatibilita) v platném znění - 2002/96/CE
<b>Hlučnost (dB(A) re 1 pW)</b>	Praní: 66 Odstředování: 74



**Dávkač pracích prostředků** slouží k dávkování pracích a přídatných prostředků ( ).

**Kontrolky** slouží ke kontrole průběhu pracího programu. (viz str. 29).

tlačítka slouží k volbě jednotlivých nabízených funkcí. Po uskutečnění volby jednotlivé funkce zůstane příslušné tlačítko podsvětleno.

Volič slouží k nastavení teploty praní anebo praní ve studené vodě ( ).

Tlačítko **ZAPNUTÍ/VYPNUTÍ** slouží k zapnutí a vypnutí pračky.

Tlačítko slouží k zahájení pracích programů nebo k vynulování chybného nastavení.

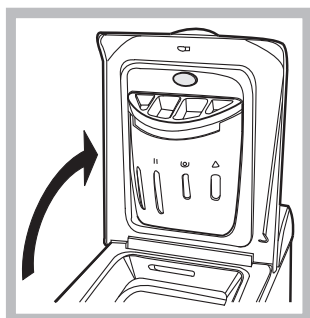
Kontrolka informující o tom, zda je pračka zapnuta (blikající kontrolka) a zda lze otevřít víko (rozsvícená kontrolka) ( ).

Volič slouží k nastavení programů ( ).  
Během pracího programu zůstane ve stejné poloze.



Rozsvícení této kontrolky poukazuje na to, že dvířka jsou zablokována kvůli zamezení náhodnému otevření; aby se předešlo poškození pračky, je třeba před otevřením víka vyčkat, až kontrolka začne blikat.

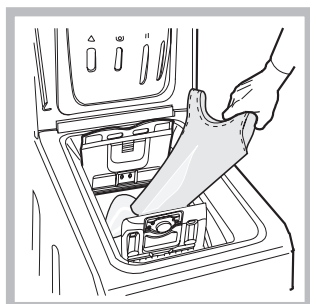
**!** Rychlé blikání kontrolky ZAPNUTO/ZABLOKOVANÉ VÍKO spolu s alespoň jednou další kontrolkou upozorňuje na přítomnost poruchy ( ).



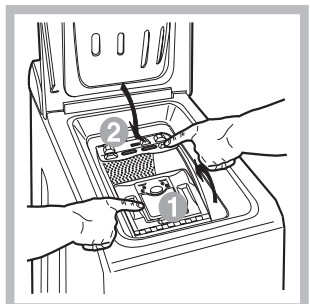
Obr. 1



Obr. 2



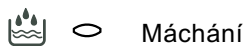
Obr. 3



Obr. 4

Kontrolky jsou zdrojem důležitých informací. Informují nás o následujících skutečnostech:

Během pracího cyklu dojde postupně k rozsvícení jednotlivých kontrolky za účelem indikace průběhu praní:



Poznámka: Během odčerpání vody se rozsvítí kontrolka signalizující fázi odstředování.

Nadzvedni vrchní kryt a kompletně ho otevři.


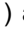
- stlač tlačítko označené na Obr.2 a zatlač ho lehce směrem dolů. Během tohoto úkonu opři druhou ruku o dvířka pracího bubnu, aby ti, při náhlém otevření, nestlačili prsty;
- doprovod uvolněné dvířka během jejich snadného otevření a uvolnění.


- dobře zavři prací bubnu a to tak že nejdříve spustíš přední a pak i zadní dvířka;
- zkontroluj, zdali došlo k dokonalému zasunutí úchytů předních dvířek do jejich uložení v zadních dvířkách;
- po uslyšení zvuku provázejícího zachycení, zatlač zlehka směrem dolů nejdříve jedny a pak druhé dvířka, aby ses ujistil, zdali nedojde k jejich uvolnění;
- na závěr zavři vrchní kryt.






FUNKČNÍ TLAČÍTKA slouží také jako kontrolky. Po zvolení jednotlivé funkce dojde k podsvětlení příslušného tlačítka.

V případě, že zvolená funkce není kompatibilní s nastaveným pracím programem, příslušné tlačítko začne blikat a funkce nebude aktivována.

V případě, že bude zvolena funkce, která není kompatibilní s některou z předem zvolených funkcí, aktivována zůstane pouze poslední zvolená funkce.

1. Zapněte pračku stisknutím tlačítka . Na několik vteřin se rozsvítí všechny kontrolky, následně dojde k jejich zhasnutí a začne blikat kontrolka ZAPNUTO/ZABLOKOVANÁ DVÍŘKA.
2. Naplňte pračku prádlem, naplňte dávkovač pracími a přídatnými prostředky (  ) a na závěr uzavřete dvířka bubnu a víko.
3. Voličem PROGRAMŮ nastavte požadovaný prací program.

4. Nastavte teplotu praní.
5. Uveďte nastavený prací program do chodu stisknutím tlačítka START/VYNULOVÁNÍ.  
Vynulování nastaveného programu se vykonává stisknutím tlačítka START/VYNULOVÁNÍ na dobu nejméně 2 vteřin.
6. Po ukončení pracího programu bude kontrolka ZAPNUTO/ZABLOKOVANÁ DVÍŘKA blikat, poukazující na možnost otevření dvířek. Vyndejte prádlo a nechte dvířka pootevřená, aby mohlo dojít k vysušení bubnu. Vypněte pračku stisknutím tlačítka .

Druh tkaniny a stupeň jejího znečištění	Prací programy	Teplota	Prací prostředek		Aviváž	Volitelná funkce Bělení / Bělicí prostředek	Doba cyklu (v minutách)	Popis pracího cyklu
			předp.	praní				
<b>Bavlna</b>								
Extrémně znečištěné bílé prádlo (prostěradla, ubrusy, atd.)	1	90°C	•	•	•		137	Předpírání, praní, máchání, průběžné a závěrečné odstředování
Extrémně znečištěné bílé prádlo (prostěradla, ubrusy, atd.)	2	90°C		•	•	Na choul.prádlo / Tradiční	129	Praní, máchání, průběžné a závěrečné odstředování
Silně znečištěné bílé a barevné prádlo z odolných tkanin	3	60°C		•	•	Na choul.prádlo / Tradiční	144	Praní, máchání, průběžné a závěrečné odstředování
Částečně znečištěné bílé a barevné choulstivé prádlo (košile, trička, atd.)	4	40°C		•	•	Na choul.prádlo / Tradiční	78	Praní, máchání, průběžné a závěrečné odstředování
Částečně znečištěné barevné choulstivé prádlo	5	30°C		•	•	Na choul.prádlo / Tradiční	70	Praní, máchání, průběžné a závěrečné odstředování
<b>Syntetika</b>								
Silně znečištěné prádlo z odolných barevných tkanin	6	60°C		•	•	Na choul.prádlo	79	Praní, máchání, ochrana před zmačkáním nebo jemné odstředování
Silně znečištěné prádlo z odolných barevných tkanin	7	50°C		•	•	Na choul.prádlo	75	Praní, máchání, ochrana před zmačkáním nebo jemné odstředování
Choulstivé barevné prádlo (lehce znečištěné prádlo všeho druhu)	8	40°C		•	•	Na choul.prádlo	65	Praní, máchání, ochrana před zmačkáním nebo jemné odstředování
Choulstivé barevné prádlo (lehce znečištěné prádlo všeho druhu)	9	30°C		•	•		30	Praní, máchání, jemné odstředování
<b>Choulstivé prádlo</b>								
Vlna	10	40°C		•	•	Na choul.prádlo	45	Praní, máchání, odstředování
Prádlo z velice choulstivých tkanin (záclony, hedvábí, viskóza, atd.)	11	30°C		•	•		52	Praní, máchání, ochrana před zmačkáním nebo vyčerpání vody
<b>ČÁSTEČNÉ PROGRAMY</b>								
Máchání					•	•		Máchání a odstředování
Jemné máchání					•	•		Máchání, ochrana před zmačkáním nebo vyčerpání vody
Odstředování								Vyčerpání vody a intenzivní odstředování
Jemné odstředování								Vyčerpání vody a jemné odstředování
Vyčerpání vody								Vyčerpání vody

Popis ochrany před zmačkáním: viz Snadné žehlení, informativní charakter.

. Údaje uvedené v tabulce mají pouze

(program 9 pro syntetiku) je navržen speciálně pro praní lehce znečištěného prádla během krátké doby: trvá pouze 30 minut a šetří tak energii a čas. Nastavením programu (9 při 30°C) je možné prát spolu prádlo různého druhu (s výjimkou vlny a hedvábí) s náplní nepřesahující 3 kg.



Otáčením voliče TEPLOTY dojde k nastavení teploty praní (viz Tabulka programů na ). Teplota může být postupně snižována až po praní ve studené vodě (☸).

! Aby se zabránilo nadměrným vibracím, pračka před každým odstředováním rovnomerne rozloží nápln tak, že se buben nepretržite otáčí rychlostí, která mírne prevyšuje rychlost použitou během pracího cyklu.

Když se ani po nekolika pokusech nepodari dokonale rozložit nápln, pračka provede odstředování nižší rychlostí, než je predpokládána rychlost.

V prípade nadměrného nevyvážení pračka provede rozložení namísto odstředování.





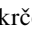
Případné pokusy o vyvážení mohou prodloužit celkovou dobu cyklu až o 10 minut.

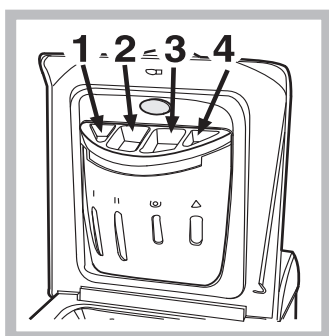
Jednotlivé funkce, kterými pračka disponuje umožňují dosáhnout požadovaný stupeň čistoty a bělosti praného prádla.

Způsob aktivace jednotlivých funkcí:

1. stiskněte tlačítko příslušné požadované funkce podle níže uvedené tabulky;
2. podsvětlení příslušného tlačítka signalizuje, že došlo k aktivaci zvolené funkce.

Poznámka: Rychlé blikání tlačítka poukazuje na to, že příslušná funkce je nepoužitelná během nastaveného pracího programu.

Funkce	Efekt	Poznámky k použití	Aktivní při programech:
 <b>Bělení</b>	Bělicí cyklus vhodný na odstranění nejodolnějších skvrn.	Nezapomeňte na vložení bělicího prostředku do přídatné přihrádky 4 (viz str. 32).	2, 3, 4, 5, 6, 7, 8, 10, máchání.
 <b>Intenzivní máchání</b>	Slouží ke zvýšení účinnosti máchání.	Její použití se doporučuje při zcela naplněné pračce anebo při použití velkého množství pracího prostředku.	1, 2, 3, 4, 5, 6, 7, 8, máchání.
<b>800 400</b>	Slouží ke snížení rychlosti odstředování.		Všechny kromě 11 a odčerpání vody.
 <b>Zabránění krčení</b>	Snižuje tvorbu záhybů na látkách, čím usnadňuje ehlení.	Po nastavení této funkce se programy 6, 7, 8, 11 a Jemné máchání přeruší s prádlem ve vodě (Zabránění krčení) a bude blikat  kontrolka fáze Máchání: Ukončení cyklu se provádí stisknutím tlačítka  Zabránění krčení.	6, 7, 8, 10, 11, Jemné máchání



Dobrý výsledek praní závisí také na správném dávkování pracích prostředků: použití jejich nadměrného množství snižuje efektivitu praní a napomáhá tvorbě vodního kamene na vnitřních částech pračky a

znečištění životního prostředí.

Při vytahování dávkovače pracích prostředků a při jeho plnění pracími anebo přídatnými prostředky postupujte následovně:

Tekutý prací prostředek je vhodné nalít přímo do bubny do dávkovací kuličky.



Při plnění oddílu 3 aviváží dávejte pozor, abyste nepřelili maximální přípustnou úroveň, označenou „max“.

Aviváž je automaticky přiváděna do pračky v průběhu posledního máchání. Na konci pracího programu zůstane v oddílu 3 zbytek vody. Tato voda slouží pro přívod velmi hustých prostředků nebo ke zředění koncentrovaných prostředků. V případě, že v oddílu 3 zůstane více vody než obvykle, znamená to, že je ucpan vyprazdňovací mechanismus. Vyčištění mechanismu viz str. 34.

**!** Nepoužívejte prací prostředky určené na ruční praní, protože způsobují tvorbu nadměrného množství pěny.

bělící prostředek se používá pro odolné bílé prádlo, pro barevné a syntetické prádlo a pro vlnu.

Při dávkování bělicího prostředku nepřekračujte “max” označenou na přídatné přihrádce 4 ( ).

Přejete-li si provést samostatné bělení, nalijte bělicí prostředek do přídatné přihrádky 4, nastavte speciální program Máchání  a stiskněte funkční tlačítko  Odstranění skvrn.

- Roztříděte prádlo podle:
  - druhu tkaniny / symbolu na visačce.
  - barvy: oddělte barevné prádlo od bílého.
- Vyprázdněte kapsy a zkontrolujte knoflíky.
- Nepřekračujte povolenou náplň, vztahující se na hmotnost suchého prádla:
  - Odolné tkaniny: max. 5 kg
  - Syntetické tkaniny: max. 2.5 kg
  - Jemné tkaniny: max. 2 kg
  - Vlna: max. 1 kg

- 1 prostěradlo 400-500 g
- 1 povlak na polštář 150-500 g
- 1 ubrus 400-500 g
- 1 župan 900-1.200 g
- 1 ručník 150-250 g

přehnout je a uložit dovnitř povlaku na polštář anebo do sáčku ze síťoviny. Je třeba je prát samotné a nepřekročit přitom poloviční náplň. Na praní záclon použijte program 11, který automaticky vyloučí odstředování.

je možné je prát v pračce v případě, že jsou plněny husím anebo kachním prachovým peřím. Jednotlivé kusy oděvu obraťte naruby, naplňte pračku náplní s hmotností nepřesahující 2-3 kg, zopakujte jeden anebo víckrát máchání a použijte jemné odstředování.

očistěte je od bahna. Můžete je prát spolu s džínami a prádlem z odolných tkanin, nemůžete je však prát spolu s bílým prádlem.

abyste dosáhli nejlepších výsledků, je třeba použít specifický prací prostředek na praní vlny a nepřekročit 1 kg náplně.



! Pračka byla navržena a vyrobena v souladu s platnými mezinárodními bezpečnostními předpisy. Tato upozornění jsou uváděna z bezpečnostních důvodů a je třeba si je pozorně přečíst.

- Pračku mohou používat pouze dospělé osoby, podle pokynů uvedených v tomto návodu.
- Nedotýkejte se zařízení bosí, anebo v případě, když máte mokré ruce anebo nohy.
- Nevytahujte zástrčku ze zásuvky tahem za kabel, ale uchopením za zástrčku.
- Neotvírejte dávkovač pracích prostředků během činnosti zařízení.
- Nedotýkejte se vyčerpávané vody, protože může mít velmi vysokou teplotu.
- Nepokoušejte se o násilné otevření dvířek: mohlo by dojít k poškození bezpečnostního uzávěru, který zabraňuje náhodnému otevření.
- Při výskytu poruchy se v žádné případě nepokoušejte o opravu vnitřních částí zařízení.
- Vždy mějte pod kontrolou děti a zabraňte jejich přiblížení se k pračce během pracího cyklu.
- Během pracího cyklu mají dvířka tendenci ohřát se.
- V případě potřeby přemístujte pračku ve dvou nebo ve třech, a věnujte celé operaci zvláštní pozornost. Nikdy se nepokoušejte pračku přemísťovat sami, je totiž velmi těžká.
- Před zahájením vkládání prádla zkontrolujte, zda je buben prázdný.
- Likvidace obalových materiálů:  
při jejich odstranění postupujte v souladu s místními předpisy a dbejte na možnou recyklaci.

Evropská směrnice 2002/96/EC o odpadních elektrických a elektronických zařízeních stanovuje, že staré domácí elektrické spotřebice nesmí být odkládány do běžného netříděného domovního odpadu. Staré spotřebice musí být odevzdány do odděleného sberu, a to za účelem recyklace a optimálního využití materiálu, které

obsahují, a z důvodu předcházení negativním dopadům na lidské zdraví a životní prostředí. Symbol “preškrtnuté popelnice” na výrobku vás upozorňuje na povinnost odevzdat zařízení po skončení jeho životnosti do odděleného sberu.

Spotřebitelé by měli kontaktovat příslušné místní úřady nebo svého prodejce ohledně informací týkajících se správné likvidace starého zařízení.

- Likvidace staré pračky:  
před její likvidací se postarejte o její znehodnocení, odstřihnutím přívodního kabelu a oddělením dvířek.

Vysvětlením toho, že uvnitř pračky je vidět málo vody, je skutečnost, že nový způsob praní Indesit umožňuje dokonale vyprat prádlo s použitím méně než polovičního množství vody: jedná se o dosažení vytýčeného cíle s ohledem na životné prostředí.

- Aby nedocházelo k plýtvání, je třeba používat pračku s plnou náplní. Jedna plná náplň, ve srovnání se dvěma polovičními, umožňuje ušetřit až 50% energie.
- Předpírání je potřebné pouze při praní silně znečištěného prádla. Prací program bez předpírání umožňuje ušetřit od 5 do 15% energie.
- Při aplikaci příslušného prostředku proti skvrnám anebo jejich namočením před zahájením praní, je možné vyhnout se praní při vysokých teplotách. Použití stejného pracího programu při teplotě 60°C namísto 90°C anebo 40°C namísto 60°C, umožňuje ušetřit až 50% energie.
- Správné dávkování pracího prostředku, s ohledem na tvrdost vody, stupeň znečištění a množství praného prádla zabraňuje plýtvání a chrání životní prostředí: i když se jedná o biodegradabilní látky, prací prostředky narušují přirozenou rovnováhu v přírodě. Dále se je třeba, dle možností, vyhnout použití aviváže.

Praní v podvečer nebo brzy ráno napomáhá nižší zátěži firem, zabývajících se výrobou energie.

- V případě, že prádlo má být vysušeno v sušičce, zvolte vysokou rychlost odstředování. Malé množství vody umožňuje šetřit čas a energii během sušícího programu.

- Po každém praní uzavřete přívod vody. Tímto způsobem dochází k omezení opotřebení pračky a ke snížení nebezpečí úniku vody.
- Před zahájením čištění pračky a během operací údržby je třeba vytáhnout zástrčku přívodního kabelu ze zásuvky.

Vnější části a části z gumy mohou být čištěny hadrem navlhčeným ve vlažné vodě a saponátu. Nepoužívejte rozpouštědla anebo brusné prostředky.

Vytáhněte dávkovač jeho nadzvednutím a vytáhnutím směrem ven. Umyjte ho pod proudem vody; tento druh vyčištění je třeba vykonávat pravidelně.

- Dvířka ponechte po každé pootevřeny, aby se zabránilo tvorbě nepříjemných zápachů.

Součástí pračky je samočisticí čerpadlo, která nevyžaduje zvláštní péči. Může se však stát, že se v jeho vstupní části, určené na jeho ochranu, a nacházející se v jeho spodní části, zachytí drobné předměty (mince, knoflíky).

**!** Ujistěte se, že prací cyklus byl ukončen a vytáhněte zástrčku ze zásuvky.

K znovuzískání případných předmětů spadlých do vstupní části:

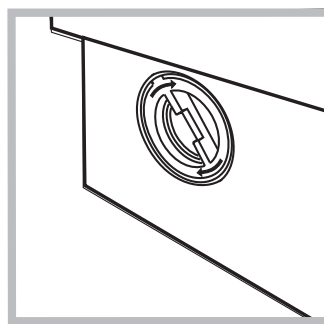
tahem rukou směrem od bočnic sundat podložku dolů na zadní stranu pračky (viz obrázek);

odšroubujte vrchní kryt otáčením proti směru hodinových ručiček : vytečení malého množství vody je zcela běžným jevem;

dokonale vyčistěte vnitřek vstupní části čerpadla;

nasadte zpátky vrchní kryt;

namontujte zpátky krycí panel, přičemž se, před jeho přisunutím k pračce ujistěte, že došlo k správnému zachycení háčků do příslušných otvorů.



Stav přítokové hadice je třeba zkontrolovat alespoň jednou ročně. Jsou-li na ní viditelné praskliny anebo trhliny, je třeba ji vyměnit: silný tlak působící na hadici během pracovního cyklu by mohl způsobit její náhlé roztrhnutí.

**!** Nikdy nepoužívejte již použité hadice.

Může se stát, že pračka nebude fungovat. Před telefonickým kontaktováním servisní služby zkontrolujte prostřednictvím následujícího seznamu, zda se nejedná o jednoduše odstranitelný problém.

- Zástrčka není zasunuta v zásuvce, anebo ne natolik, aby došlo ke spojení kontaktů.
- V celém domě je vypnut proud.
- Dvířka nejsou správně zavřena (kontrolka Zablokované víko bliká).
- Nebylo stisknuto tlačítko (I).
- Nebylo stisknuto tlačítko START/VYNULOVÁNÍ.
- Nebyl otevřen kohoutek přívodu vody.

- Přívodní hadice není připojena k vodovodnímu kohoutku.
- Přívodní hadice je příliš ohnuta.
- Nebyl otevřen kohoutek přívodu vody.
- V celém domě je uzavřen přívod vody.
- V rozvodu vody není dostatečný tlak.
- Nebylo stisknuto tlačítko START/VYNULOVÁNÍ.

- Ústí vypouštěcí hadice se nachází mimo určené rozmezí od 65 do 100 cm nad zemí
- Koncová část vypouštěcí hadice je ponořena ve vodě
- Odpad ve stěně není vybaven odvodušňovacím otvorem.

Když ani po uvedených kontrolách nedojde k odstranění problému, uzavřete přívod vody, vypněte pračku a přivolejte servisní službu. V případě, že se byt nachází na jednom z nejvyšších poschodí, je možné, že dochází k sifonovému efektu, jehož následkem pračka nepřetržitě napouští a odčerpává vodu. Na odstranění uvedeného efektu jsou v prodeji běžně dostupné speciální protisifonové ventily.

- Odčerpání vody netvoří součást nastaveného programu: u některých programů je potřebné jeho manuální uvedení do činnosti ( ).
- Byla aktivována volitelná funkce Snadné žehlení: dokončení pracího cyklu je možné po stisknutí tlačítka START/VYNULOVÁNÍ
- Vypouštěcí hadice je příliš ohnuta ( ).
- Odpadové potrubí je ucpáno.

- Během instalace nebyl buben odjištěn předepsaným způsobem
- Pračka není vyrovnaná do vodorovné polohy ( ).
- Pračka je namáčknuta mezi nábytkem a stěnou ( ).

- Přívodní hadice není správně připojena ( ).
- Dávkovač pracích prostředků je ucpán (způsob jeho vyčištění ( )).
- Vypouštěcí hadice není upevněna předepsaným způsobem ( ).

- Vypněte zařízení a vytáhněte zástrčku ze zásuvky, vyčkejte 1 minutu a zařízení znovu zapněte.  
Když porucha přetrvává, obraťte se na servisní službu.

- Použitý prací prostředek není vhodný pro použití v automatické pračce (musí obsahovat označení „pro praní v pračce“, „pro praní v rukou nebo v pračce“ anebo podobné označení).
- Bylo použito nadměrné množství pracích prostředků.

---

Zkontrolujte, zda nejste schopni poruchu odstranit sami

- Opětovně uveďte do chodu prací program, s cílem ověřit, zda byla porucha odstraněna;
- V opačném případě se obraťte na autorizované centrum servisní služby, na telefonním čísle uvedeném na záručním listě.

! Nikdy se neobracejte se žádostí o pomoc na techniky, kteří nejsou na vykonávání této činnosti oprávněni.

- druh poruchy;
- model pračky (Mod.);
- výrobní číslo (S/N);

tyto informace jsou uvedeny na typovém štítku, nacházejícím se na zadní straně pračky.

**SK**

Slovenský

WITP 82

## Obsah

### Inštalácia, 38-39

Rozbalenie a vyrovnanie do vodorovnej polohy, 38  
Pripojenie k elektrickej sieti a k rozvodu vody, 38-39  
Prvý prací cyklus, 39  
Technické údaje, 39

### Popis práčky, 40-41

Ovládací panel, 40  
Ako sa otvára a zatvára prací bubon, 41  
Kontrolky, 41

### Uvedenie do chodu a programu, 42

V skratke: uvedenie pracieho programu do chodu, 42  
Tabuľka programov, 42

### Nastavenie činnosti podľa potrieb užívateľa, 43

Nastavenie teploty, 43  
Funkcie, 43

### Pracie prostriedky a bielizeň, 44

Dávkovač pracích prostriedkov, 44  
Príprava bielizne, 44  
Cyklus bielenia, 44  
Odevy vyžadujúce špeciálnu starostlivosť, 44  
Woolmark Platinum Care (Kašmír Platinum), 44

### Opatrenia a rady, 45

Základné bezpečnostné pokyny, 45  
Likvidácia, 45  
Ako ušetriť a brať ohľad na životné prostredie, 45

### Údržba a starostlivosť, 46

Zatvorenie prívodu vody a vypnutie elektrického napájania, 46  
Čistenie práčky, 46  
Čistenie dávkovača pracích prostriedkov, 46  
Starostlivosť o dvierka a bubon, 46  
Čistenie čerpadla, 46  
Kontrola prítokovej hadice, 46  
Ako sa čistí dávkovač pracích prostriedkov, 46

### Poruchy a spôsob ich odstránenia, 47

### Servisná služba, 48

Pred privolaním servisnej služby, 48

# Inštalácia

! Je veľmi dôležité uschovať tento návod za účelom jeho ďalšej konzultácie. V prípade predaja, darovania alebo presťahovania práčky sa uistite, že zostane uložený v blízkosti práčky, aby mohol posлúžiť novému majiteľovi pri zoznámení sa s činnosťou a s príslušnými upozorneniami.

! Pozorne si prečítajte uvedené pokyny: obsahujú dôležité informácie týkajúce sa inštalácie, použitia a bezpečnosti pri práci.

## Rozbalenie a vyrovnanie do vodorovnej polohy

### Rozbalenie

1. Rozbaľte práčku.
2. Skontrolujte, či počas prepravy nedošlo k jej poškodeniu. V prípade, že je poškodená, nezapájajte ju a obráťte sa na predajcu.
3. Odstráňte štyri skrutky s gumovou podložkou a s príslušným dištančným krúžkom, nachádzajúce sa v zadnej časti (vid'obrázok), slúžiace na ochranu počas prepravy.
4. Uzatvorte otvory po skrutkách plastovými zátkami.
5. Uschovajte všetky diely: v prípade opätovnej prepravy práčky ich bude treba namontovať späť.

**Upozornenie:** pri opätovnom použití musia byť kratšie skrutky použité na montáž v hornej polohe.

! Obaly nie sú hračkami pre deti

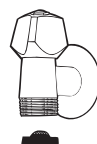
### Vyrovnanie do vodorovnej polohy

1. Práčku je potrebné umiestniť na rovnú a pevnú podlahu, bez toho, že by bola opretá o stenu, nábytok alebo niečo iné.
2. V prípade, keď podlaha nie je dokonale vodorovná, môžu byť prípadné rozdiely vykompenzované odkrútením alebo zakrútením predných nožičiek (vid'obrázok). Uhol sklonu, nameraný na pracovnej ploche, nesmie presiahnuť 2°.

Dokonalé vyrovnanie do vodorovnej polohy zabezpečí stabilitu zariadenia a zamedzí vzniku vibrácií a hluku počas činnosti. V prípade inštalácie na podlahovú krytinu alebo na koberec, nastavte nožičky tak, aby pod práčkou zostal dostatok voľného priestoru na ventiláciu.

## Pripojenie k elektrickej sieti a k rozvodu vody

### Pripojenie prítokovej hadice

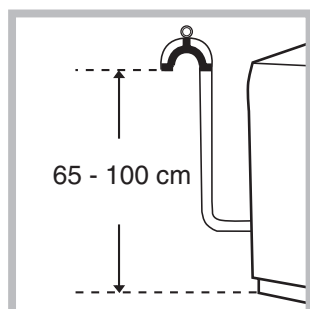


1. Vložte tesnenie A do koncovej časti prítokovej hadice a pripevnite ju k uzáveru studenej vody so závitom 3/4" (vid'obrázok). Pred pripojením hadice nechajte vodu odtiecť, až kým nebude priezračná.
2. Pripojte prítokovú hadicu k práčke prostredníctvom príslušného vstupného hrdla, situovaného vpravo hore (vid'obrázok).
3. Dbajte na to, aby hadica nebola príliš ohnutá alebo stlačená.

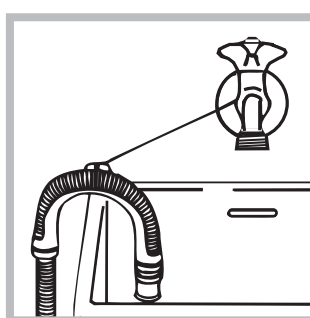
! Tlak v rozvode vody sa musí pohybovať v rozmedzí hodnôt uvedených v tabuľke s technickými údajmi (vid' vedľajšia strana).

! V prípade, že dĺžka prítokovej hadice nebude dostatočná, obráťte sa na špecializovanú predajňu alebo na autorizovaný technický personál.

## Pripojenie odtokovej hadice



Pripojte vypúšťaciu hadicu, bez toho, že by došlo k jej ohnutiu, k odpadovému potrubiu alebo k odpadu v stene, nachádzajúcemu sa od 65 do 100 cm nad zemou;



alebo ju zachyťte na okraj umývadla alebo vane, a pripevnite ju ku kohútiku prostredníctvom držiaku z príslušenstva (vid' obrázok). Voľný koniec vypúšťacej hadice nesmie zostať ponorený do vody.

! Použitie predlžovacích hadíc sa nedoporučuje; ak je však nevyhnutné, predlžovacia hadica musí mať rovnaký priemer ako originálna hadica a jej dĺžka nesmie presiahnuť 150 cm.

## Pripojenie k elektrickej sieti

Pred zasunutím zástrčky do zásuvky sa uistite, že:

- zásuvka je uzemnená, a že vyhovuje zákonným predpisom;
- zásuvka je schopná uniesť maximálnu záťaž odpovedajúcu menovitému príkonu zariadenia, uvedenému v tabuľke s technickými údajmi (vid' vedľa);
- hodnota napájacieho napätia odpovedá údajom uvedeným v tabuľke s technickými údajmi (vid' vedľa);
- zásuvka je kompatibilná so zástrčkou práčky. V opačnom prípade je potrebné vymeniť zástrčku.

! Práčka nesmie byť umiestnená vonku – pod holým nebom, a to ani v prípade, keby sa jednalo o miesto chránené pred poveternostnými vplyvmi, pretože je veľmi nebezpečné vystaviť ju pôsobeniu dažďa a búrok.

! Po definitívnom umiestnení práčky musí zásuvka zostať jednoducho prístupná.

! Nepoužívajte predlžovacie káble a rozvodky.

! Kábel nesmie byť ohnutý alebo stlačený.



! Výmena kábla musí byť vykonaná výhradne autorizovaným technickým personálom.

Upozornenie! Výrobca neponesie žiadnu zodpovednosť za následky nerešpektovania uvedených predpisov.

## Prvý prací cyklus

Po nastavení práčky, pred jej použitím na pranie bielizne, je potrebné vykonať jeden skúšobný cyklus, s pracím prostriedkom a bez náplne bielizne, pri teplote 90°C, bez predpierania.

## Technické údaje

Model	WITP 82
Rozmery	šírka 40 cm výška 85 cm hĺbka 60 cm
Kapacita	od 1 do 5 kg
Elektrické zapojenie	napätie 220/230 V 50 Hz maximálny príkon 1850 W
Pripojenie k rozvodu vody	maximálny tlak 1 MPa (10 bar) maximálny tlak 0,05 MPa (0,5 bar) kapacita bubna 42 litrov
Rýchlosť odstred'ovania	až do 800 otáčok za minútu
Kontrolný program podľa normy IEC456	program 2; teplota 60°C; náplň 5 kg prádla.
 	Toto zariadenie je v zhode s nasledujúcimi smernicami Európskej únie: - 73/23/EHS z 19/02/73 (Nízke napätie) v platnom znení - 89/336/EHS z 03/05/89 (Elektromagnetická kompatibilita) v platnom znení - 2002/96/CE
Hlučnosť* (dB(A) re 1 pW)	Pranie: 66 Odstred'ovanie: 74

SK

Inštalácia

Popis

Pracie programy

Pracie prostriedky

Opatrenia

Údržba

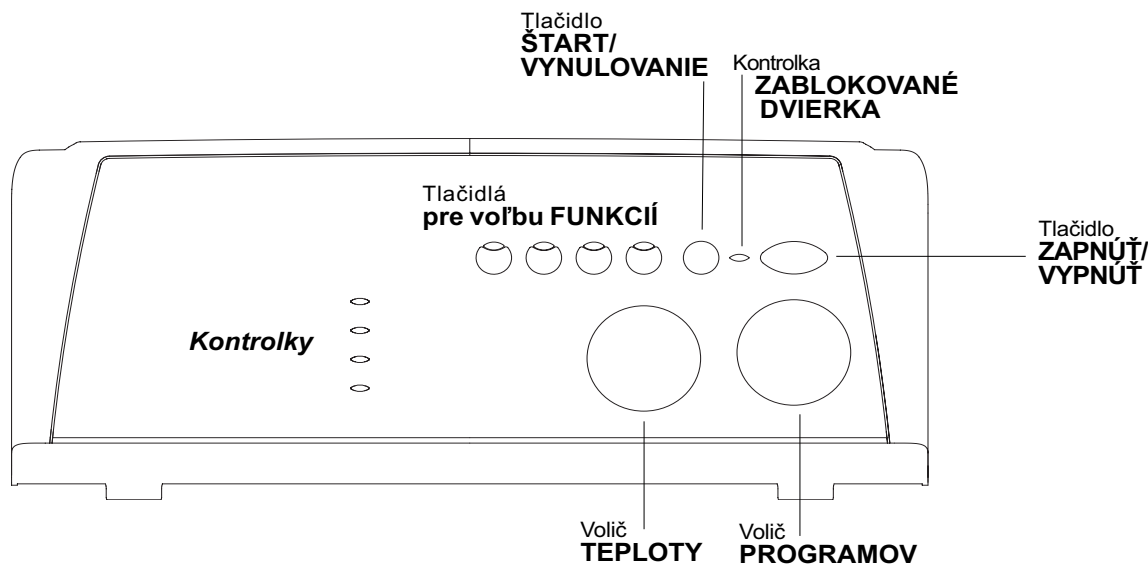
Poruchy

Servisná služba

# Popis práčky

SK

## Ovládací panel



**Dávkovač pracích prostriedkov** na dávkovanie pracích a prídavných prostriedkov (vid' str. 44).

**Kontrolky** na kontrolu postupu pracieho programu. (vid' str. 41).

Tlačidlá pre voľbu **FUNKCIÍ** - tlačidlá na voľbu jednotlivých funkcií. Tlačidlo zvolenej funkcie zostane podsvietené.

Volič **TEPLOTY** na nastavenie teploty alebo pranie v studenej vode (vid' str. 43).

Tlačidlo **ZAPNÚŤ/VYPNÚŤ** na zapnutie alebo vypnutie práčky.

Tlačidlo **ŠTART/VYNULOVANIE** na spustenie programu alebo na vynulovanie nesprávne nastaveného programu.

Kontrolka **ZAPNUTÉ/ZABLOKOVANÉ DVIERKA** indikuje, práčka je zapnutá (bliká) alebo, že dvierka je možné otvoriť (stále svetlo) (vid' str. 40).

Volič **PROGRAMOV** na nastavenie programov (vid' str. 42).

Počas spusteného programu zostane volič zastavený.

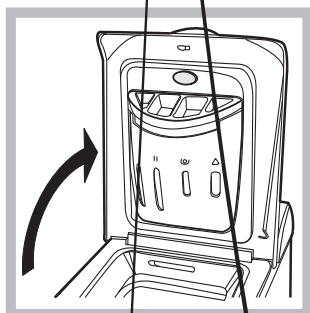
### **Kontrolka ZAPNUTÉ/ZABLOKOVANÉ DVIERKA:**

Rozsvietenie tejto kontrolky poukazuje na to, že dvierka sú zablokované kvôli zamedzeniu náhodnému otvoreniu; aby nedošlo k poškodeniu pred otvorením dvierok, je potrebné vyčkať, kým kontrolka začne blikáť.

! rýchle blikanie kontrolky ZAPNUTÉ/ZABLOKOVANÉ DVIERKA súčasne aspoň s jednou ďalšou kontrolkou upozorňuje na prítomnosť poruchy (vid' str. 47).



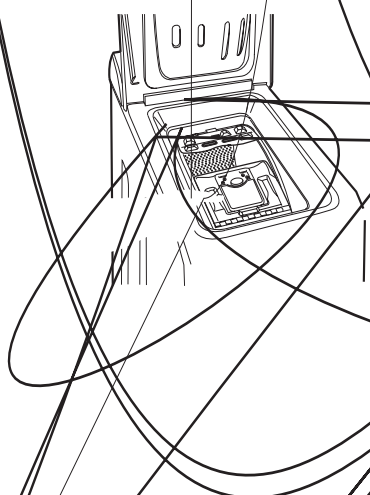
## Ako sa otvára a zatvára prací bubon



Obr. 1



Obr. 2



### A) OTVÁRANIE (obr. 1):

Zdvihnite hornú dosku a úplne ju otvorte.

### B) Otvorte prací bubon podľa návodu na obrázku; pritom použite obe ruky (obr. 2):

- tlačidlo označené na obr.2 zatlačte ľahko smerom dole. Počas tohto úkonu oprite druhú ruku o dverka pracieho bubna tak, aby sa vám pri náhlom otvorení nezachytili prsty;
- rukami doprevádzajte uvoľnená dverka počas ich otvárania.

### C) VKLADANIE BIELIZNE (obr. 3)

### D) ZAVIERANIE (obr. 4):

- Prací bubon dobre zavriete tak, že najskôr spustíte predné a potomaj zadné dverka;
- skontrolujte či sú úchytka predných dveriek dokonale zasunuté do príslušných otvorov v zadných dverkách;
- po zacvaknutí najprv zľahka zatlačte smerom dole prvé a potom druhé dverka, aby ste sa uistili, že nedôjde k ich uvoľneniu;
- nakoniec zavriete hornú dosku.

## Kontrolky

Kontrolky sú zdrojom dôležitých informácií. Informujú nás o nasledujúcich skutočnostiach:

### Aktuálna fáza pracieho programu:

Počas pracieho cyklu dôjde postupne k rozsvieteniu jednotlivých kontroliek za účelom indikácie priebehu prania:

Predprírka

Pránie

Plákanie

Odstreďovanie

Poznámka: Počas vypúšťania vody sa rozsvieti kontrolka poukazujúca na fázu odstredovania.

## Funkčné tlačidlá

FUNKČNÉ TLAČIDLÁ slúžia tiež ako kontrolky. Po zvolení jednotlivej funkcie dôjde k podsvieteniu príslušného tlačidla.

V prípade, že zvolená funkcia nie je kompatibilná s nastaveným praciím programom, príslušné tlačidlo začne blikať a funkcia nebude aktivovaná.

V prípade, že bude zvolená funkcia, ktorá nie je kompatibilná s niektorou z vopred zvolených funkcií, aktivovaná zostane len posledne zvolená funkcia.

SK

Inštalácia

Popis

Pracie programy

Pracie prostriedky

Opatrenia

Údržba


Poruchy


Servisná služba

# Uvedenie do chodu a programy






SK

## V skratke: uvedenie pracieho programu do chodu

1. Zapnite práčku stlačením tlačidla . Na niekoľko sekúnd sa rozsvietia všetky kontrolky, následne dôjde k ich zhasnutiu a začne blikať kontrolka ZAPNUTÉ/ZABLOKOVANÉ DVIERKA.
2. Naplňte práčku prádlom a dávkovač pracími a prídavnými prostriedkami (viď str. 44) a potom zatvorte dvierka a kryt.
3. Voličom PROGRAMOV nastavte požadovaný prací program.

4. Nastavte teplotu prania (viď str. 43).
5. Uvedte nastavený prací program do chodu stlačením tlačidla ŠTART/VYNULOVANIE. Vynulovanie nastaveného programu sa vykonáva stlačením tlačidla ŠTART/VYNULOVANIE na dobu najmenej 2 sekúnd.
6. Po ukončení pracieho programu bude kontrolka ZAPNUTÉ/ZABLOKOVANÉ DVIERKA blikať, poukazujúc na možnosť otvorenia dvierok. Vyberte prádlo a nechajte potvorené dvierka, aby mohlo dôjsť k vysušeniu bubna. Vypnite práčku stlačením tlačidla .

## Tabuľka programov

Druh tkaniny a stupeň jej znečistenia	Pracie programy	Teplota	Prací prostriedok		Aviváž	Voliteľná funkcia Belenie / Bieliaci prostriedok	Orientačná doba cyklu (v minútach)	Popis pracieho cyklu
			na predpr.	na pranie				
<b>Bavlna</b>								
Extrémne znečistená biela bielizeň (plachty, obrusy, atď.)	1	90°C	•	•	•		137	Predpijerka, pranie plákanie, priebežné a záverečné odstreďovanie
Extrémne znečistená biela bielizeň (plachty, obrusy, atď.)	2	90°C		•	•	Na jemnú bielizeň / Tradičný	129	Pranie, plákanie, priebežné a záverečné odstreďovanie
Silno znečistená biela a farebná bielizeň z odolných tkanín	3	60°C		•	•	Na jemnú bielizeň / Tradičný	144	Pranie, plákanie, priebežné a záverečné odstreďovanie
Čiastočne znečistená biela a farebná jemná bielizeň (košeľa, tričká, atď.)	4	40°C		•	•	Na jemnú bielizeň / Tradičný	78	Pranie, plákanie, priebežné a záverečné odstreďovanie
Čiastočne znečistená farebná jemná bielizeň	5	30°C		•	•	Na jemnú bielizeň / Tradičný	70	Pranie, plákanie, priebežné a záverečné odstreďovanie
<b>Syntetika</b>								
Silno znečistená bielizeň z odolných farebných tkanín	6	60°C		•	•	Na jemnú bielizeň	79	Pranie, plákanie, ochrana pred pokrčením alebo jemné odstreďovanie
Silno znečistená bielizeň z odolných farebných tkanín	7	50°C		•	•	Na jemnú bielizeň	75	Pranie, plákanie, ochrana pred pokrčením alebo jemné odstreďovanie
Jemná farebná bielizeň (zľahka znečistená bielizeň všetkého druhu)	8	40°C		•	•	Na jemnú bielizeň	65	Pranie, plákanie, ochrana pred pokrčením alebo jemné odstreďovanie
Jemná farebná bielizeň (zľahka znečistená bielizeň všetkého druhu)	9	30°C		•	•		32	Pranie, plákanie, jemné odstreďovanie
<b>Jemné prádlo</b>								
Vlna	10	40°C		•	•	Na jemnú bielizeň	45	Pranie, plákanie, odstreďovanie
Bielizeň z veľmi jemných tkanín (záclony, hodváby, viskóza, atď.)	11	30°C		•	•		52	Pranie, plákanie, ochrana pred pokrčením alebo vyčerpanie vody
<b>ČIASTOČNÉ PROGRAMY</b>								
Plákanie					•			Plákanie a odstreďovanie
Jemné plákanie					•			Plákanie, ochrana pred pokrčením alebo vyčerpanie vody
Odstreďovanie								Vyčerpanie vody a intenzívne odstreďovanie
Jemné odstreďovanie								Vyčerpanie vody a jemné odstreďovanie
Vyčerpanie vody								Vyčerpanie vody

## Poznámky

Popis ochrany pred pokrčením: viď Jednoduché žehlenie, na vedľajšej strane. Údaje uvedené v tabuľke majú len informatívny charakter.

## Špeciálny program

*Každodenné pranie 30'* (program 9 pre syntetiku) je navrhnutý špeciálne na pranie zľahka znečistenej bielizne počas krátkej doby: trvá len 30 minút a šetrí tak energiu a čas. Nastavením programu (9 pri 30°C) je možné prať spolu bielizeň rôzneho druhu (s výnimkou vlny a hodvábu) s náplňou nepresahujúcou 3 kg. *Doporučuje sa použitie tekutého pracieho prostriedku.*

# Nastavenie činnosti podľa potrieb užívateľa



## Nastavenie teploty

Otáčaním voliča TEPLoty dôjde k nastaveniu teploty prania (viď Tabuľka programov na str. 42). Teplota môže byť postupne znižovaná až po pranie v studenej vode (❄).

! Aby sa zabránilo nadmerným vibráciám, práčka pred každým odstredovaním rovnomerne rozloží náplň tak, že sa bude nepretržite otáčať rýchlosťou, ktorá mierne prevyšuje rýchlosť použitia počas pracovného cyklu. Keď sa ani po niekoľkých pokusoch nepodarí dokonale rozložiť náplň, práčka vykoná odstredovanie nižšou rýchlosťou, ako je predpokladaná rýchlosť.

V prípade nadmerného nevyváženia práčka vykoná rozloženie namiesto odstredovania. Prípadné pokusy o vyváženie môžu predĺžiť celkovú dobu cyklu maximálne o 10 minút.

## Funkcie

Jednotlivé funkcie, ktorými práčka disponuje umožňujú dosiahnuť požadovaný stupeň čistoty a bieloby praneho prádla. Spôsob aktivácie jednotlivých funkcií:

1. stlačte tlačidlo príslušnej požadovanej funkcie podľa nižšie uvedenej tabuľky;
2. podsvietenie príslušného tlačidla signalizuje, že došlo k aktivácii zvolenej funkcie.

Poznámka: Rýchle blikanie tlačidla poukazuje na to, že príslušná funkcia je nepoužiteľná počas nastaveného pracovného programu.

Funkcie	Efekt	Poznámky k použitiu	Aktívna pri programoch:
 Bielenie	Bieliaci cyklus vhodný na odstránenie najodolnejších škvŕn.	Nezabudnite na vloženie bieliaceho prostriedku do prídavnej priehradky 4 (viď str. 44).	2, 3, 4, 5, 6, 7, 8 plákanie.
 Intenzívne plákanie	Slúži na zvýšenie účinnosti plákania.	Jej použitie sa doporučuje pri úplne naplnenej práčke alebo pri použití veľkého množstva pracovného prostriedku.	1, 2, 3, 4, 5, 6, 7, 8, plákanie.
800 400	Slúži na zníženie rýchlosti odstredovania.		Všetky okrem 11 a vypúšťania vody.
 Zabránenie krčeni	Znižuje tvorbu záhybov na látkach, čím uľahčuje ehlenie.	Po nastavení tejto funkcie sa programy 6, 7, 8, 11 a Jemné plákanie prerušia s prádlom vo vode (Zabránenie krčeni) a bude bliká  kontrolka fázy Plákanie: Ukončenie cyklu sa vykonáva stlačením tlačidla Zabránenie krčeni	6, 7, 8, 10, 11, Jemné plákanie

SK

Inštalácia

Popis

Pracovné programy

Pracovné prostriedky

Opatrenia

Údržba

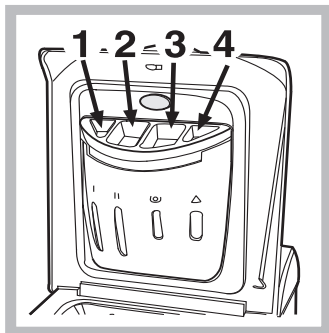
Poruchy

Servisná služba

# Pracie prostriedky a bielizeň

SK

## Dávkovač pracích prostriedkov



Dobry výsledok prania závisí aj od správneho dávkovania pracích prostriedkov: ich použitie v nadmernom množstve znižuje efektívnosť prania a napomáha tvorbe vodného kameňa na vnútorných častiach práčky a tiež znečisteniu životného prostredia.

Pri vyťahovaní dávkovača pracích prostriedkov a pri jeho plnení pracími alebo prídavnými prostriedkami postupujte nasledovne.

**priehradka 1: Prací prostriedok (práškový) na predpierku**

**priehradka 2: Prací prostriedok na pranie (práškový alebo tekutý)**

Tekutý prací prostriedok je vhodné naliať priamo do bubna, prostredníctvom dávkovacej guľičky.

**priehradka 3: Prídavné prostriedky (aviváž, atď.)**

Po liatí aviváže do priehradky 3 dbajte na to, aby nedošlo k presiahnutiu úrovne označenej „max“. Aviváž bude do práčky dávkovaná automaticky počas posledného plákania. Po ukončení pracieho programu zostane v priehradke 3 zvyšok vody. Táto slúži na riedenie veľmi hustých druhov aviváže, alebo druhov aviváže s vysokou koncentráciou. Ak v priehradke 3 zostane viac vody ako obyčajne, znamená to, že vyprázdňovacie zariadenie je upchaté. Pokyny na čistenie sú uvedené na str. 46.



**prídavná priehradka 4: Bieliaci prostriedok**

! Nepoužívajte pracie prostriedky určené na ručné pranie, pretože spôsobujú tvorbu nadmerného množstva peny.

## Cyklus bielenia

Bieliaci prostriedok **na bežné prádlo** sa môže používať výlučne pri bielení odolného bieleho prádla, zatiaľ čo bieliaci prostriedok **na jemnú bielizeň** sa používa pri bielení farebného prádla, prádla zo syntetických tkanín a vlny.

Pri dávkovaní bieliaceho prostriedku nepresiahnite hladinu „max“, vyznačenú na priehradke 4 (vid' obrázok).

Pri samotnom bielení nalejte bieliaci prostriedok do priehradky 4, nastavte program Plákanie  a príslušným tlačidlom zvolte funkciu Odstránenie škvŕn .

## Príprava bielizeň

- Roztriedte bielizeň podľa:
  - druhu tkaniny / symbolu na visačke.
  - farby: oddel'te farebné prádlo od bieleho.
- Vyprázdnite vrecká a skontrolujte gombíky.
- Neprekračujte povolenú náplň, vzťahujúcu sa na hmotnosť suchej bielizeň:
  - Odolné tkaniny: max. 5 kg
  - Syntetické tkaniny: max. 2.5 kg
  - Jemné tkaniny: max. 2 kg
  - Vlna max. 1 kg

### Koľko váži bielizeň?

- 1 plachta 400-500 g
- 1 obliečka na vankúš 150-500 g
- 1 obrus 400-500 g
- 1 župan 900-1.200 g
- 1 uterák 150-250 g

## Odevy vyžadujúce špeciálnu starostlivosť

**Záclony:** prehnite ich a uložte do obliečky na vankúš alebo do sáčku zo sieťoviny. Je treba ich prať samotné a neprekročiť polovičnú náplň. Na pranie záclon použite program 11, ktorý automaticky vylúči odstredovanie.

**Prešivané kabáty a vetrovky:** je možné ich prať v práčke v prípade, ak sú plnené husacím alebo kačacím perím. Jednotlivé kusy odevu obráťte naruby, naplňte práčku náplňou s hmotnosťou nepresahujúcou 2-3 kg, zopakujte raz alebo viackrát plákanie a použite jemné odstredovanie.

**Tenisky:** očistite ich od bahna. Môžete ich prať spolu s džinsami a bielizňou z odolných tkanín, nemôžete ich však prať spolu s bielou bielizňou.

**Vlna:** aby ste dosiahli čo najlepšie výsledky, treba použiť špecifický prací prostriedok na pranie vlny a neprekročiť 1 kg náplne.

! Práčka bola navrhnutá a vyrobená v súlade s platnými medzinárodnými bezpečnostnými predpismi. Tieto upozornenia sú uvádzané z bezpečnostných dôvodov a je treba si ich pozorne prečítať.

## Základné bezpečnostné pokyny

- Práčku môžu používať len dospelé osoby, podľa pokynov uvedených v tomto návode.
- Nedotýkajte sa zariadenia bosí, alebo v prípade, keď máte mokré ruky alebo nohy.
- Nevyťahujte zástrčku zo zásuvky potiahnutím za kábel, ale uchopením za zástrčku.
- Neotvárajte dávkovač pracích prostriedkov počas činnosti zariadenia.
- Nedotýkajte sa vyčerpanej vody, pretože môže mať veľmi vysokú teplotu.
- Nepokúšajte sa o násilné otváranie dvierok: mohlo by dôjsť k poškodeniu bezpečnostného uzáveru, ktorý zabraňuje náhodnému otvoreniu.
- Pri výskyte poruchy sa v žiadnom prípade nepokúšajte o opravu vnútorných častí zariadenia.
- Vždy majte pod kontrolou deti a zabráňte ich priblíženiu sa k práčke počas pracieho cyklu.
- Počas pracieho cyklu majú dvierka tendenciu zohriať sa.
- V prípade potreby premiestňujte práčku v dvojici alebo v trojici, a venujte celej operácii zvláštnu pozornosť. Nikdy sa nepokúšajte práčku premiestňovať sami, je totiž veľmi ťažká.
- Pred zahájením vkladania bielizne skontrolujte, či je bubon prázdny.

## Likvidácia

- Likvidácia obalových materiálov: pri ich odstraňovaní postupujte v súlade s miestnymi predpismi a s cieľom ich recyklácie.
- **Likvidácia starých elektrických zariadení**  
Európska smernica 2002/96/EC o odpadových elektrických a elektronických zariadeniach stanovuje, že staré domáce elektrické spotrebice nesmú byť odkladané do bežného netriedeného domového odpadu. Staré spotrebice musia byť odovzdané do oddeleného zberu a to za účelom recyklácie a optimálneho využitia materiálov, ktoré

obsahujú, z dôvodu prevencie negatívneho dopadu na ľudské zdravie a životné prostredie. Symbol "preciarknutej popolnice" na výrobku Vás upozorňuje na povinnosť odovzdať zariadenie po skončení jeho životnosti do oddeleného zberu. Spotrebiteľia majú povinnosť kontaktovať ich lokálny úrad alebo maloobchod kvôli informáciám týkajúcich sa správneho odovzdaniu a likvidácie ich starých spotrebitcov.

- Likvidácia starej práčky:  
pred jej likvidáciou sa postarajte o jej znehodnotenie, odstrihnutím prírodného kábla a oddelením dvierok.

## Ako ušetriť a brať ohľad na životné prostredie

### Technológia v službách životného prostredia

Vysvetlením toho, že vo vnútri práčky je vidieť málo vody, je skutočnosť, že nová technológia Indesit umožňuje dokonale vyprať bielizeň s použitím menej než polovičného množstva vody: jedná sa o dosiahnutie vytýčeného cieľa s ohľadom na životné prostredie.

### Šetrenie pracími prostriedkami, vodou, energiou a časom

- Aby nedochádzalo k plytvaniu, je treba používať práčku s plnou náplňou. Jedna plná náplň, v porovnaní s dvoma polovičnými, umožňuje ušetriť až 50% energie.
- Predpierka je potrebná len pri praní silno znečistenej bielizne. Prací program bez predpierky umožňuje ušetriť od 5 do 15% energie.
- Pri aplikácii príslušného prostriedku proti škvrnám alebo ich namočením pred zahájením prania, je možné vyhnúť sa praniu pri vysokých teplotách. Použitie rovnakého pracieho programu pri teplote 60°C namiesto 90°C alebo 40°C namiesto 60°C, umožňuje ušetriť až 50% energie.
- Správne dávkovanie pracieho prostriedku, s ohľadom na tvrdosť vody, stupeň znečistenia a množstvo pranej bielizne zabraňuje plytvaniu a chráni životné prostredie: i keď sa jedná o biodegradabilné látky, pracie prostriedky narušujú prirodzenú rovnováhu v prírode. Ďalej je sa treba, podľa možností, vyhnúť použitiu aviváže.
- Pranie v podvečer alebo skoro ráno napomáha nižšej záťaži firiem, zaoberajúcich sa výrobou energie.
- V prípade, že bielizeň má byť vysušená v sušičke, zvolte vysokú rýchlosť odstreďovania. Malé množstvo vody umožňuje šetriť čas a energiu počas programu sušenia.

**SK**

Inštalácia

Popis

Pracie programy

Pracie prostriedky

Opatrenia

Údržba

Poruchy

Servisná služba

# Údržba a starostlivosť

SK

## Zatvorenie prívodu vody a vypnutie elektrického napájania

- Po každom praní uzatvorte prívod vody. Týmto spôsobom dochádza k obmedzeniu opotrebovania práčky a k zníženiu nebezpečenstva úniku vody.
- Pred zahájením čistenia práčky a počas operácií údržby je treba vytiahnuť zástrčku prívodného kábla zo zásuvky.

## Čistenie práčky

Vonkajšie časti a časti z gumeného materiálu môžu byť čistené handrou navlhčenou vo vlažnej vode a saponáte. Nepoužívajte rozpúšťadlá alebo brúsne prostriedky.

## Čistenie dávkovača pracích prostriedkov

Vytiahnite dávkovač jeho nadvihnutím a vytiahnutím smerom von (viď obrázok).

Umyte ho pod prúdom vody; tento druh vyčistenia je treba vykonávať pravidelne.

## Starostlivosť o dvierka a bubon

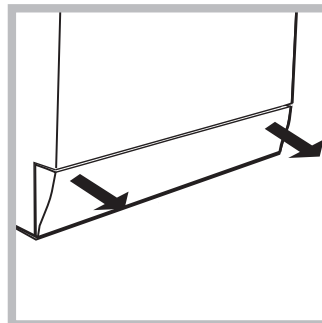
- Dvierka ponechajte zakaždým pootvorené, aby sa zabránilo tvorbe nepríjemných zápachov.

## Čistenie čerpadla

Súčasťou práčky je samočistiace čerpadlo, ktoré nevyžaduje osobitnú starostlivosť. Môže sa však stať, že sa v jeho vstupnej časti, určenej na jeho ochranu, a nachádzajúcej sa v jeho spodnej časti, zachytia drobné predmety (mince, gombíky).

! Uistite sa, že prací cyklus bol ukončený a vytiahnite zástrčku zo zásuvky.

Pri vyberaní prípadných predmetov spadnutých do predkomory:



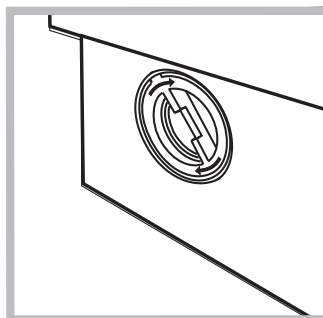
1. odmontovať podstavec práčky v spodnej časti, vpredu, jeho potiahnutím rukami za okraje (viď obrázok);

2. odkrúťte vrchný kryt jeho otáčaním proti smeru hodinových ručičiek (viď obrázok): vytečenie malého množstva vody je celkom bežným javom;

3. dokonale vyčistite vnútro vstupnej časti čerpadla;

4. nasadte späť vrchný kryt;

5. namontujte späť krycí panel, pričom sa, pred jeho prisunutím k práčke uistite, že došlo k správnejmu zachyteniu háčikov do príslušných otvorov.



## Kontrola prítokovej hadice

Stav prítokovej hadice je treba skontrolovať aspoň raz ročne. Ak sú na nej viditeľné praskliny alebo trhliny, je potrebné ju vymeniť: silný tlak pôsobiaci na hadicu počas pracieho cyklu by mohol spôsobiť jej náhle roztrhnutie.

! Nikdy nepoužívajte už použité hadice.

## Ako sa čistí dávkovač pracích prostriedkov

### Demontáž:

Zľahka zatlačte na veľké tlačidlo v prednej časti dávkovača pracích prostriedkov a vytiahnite ho smerom nahor (obr. 1 a 2).

### Čistenie:

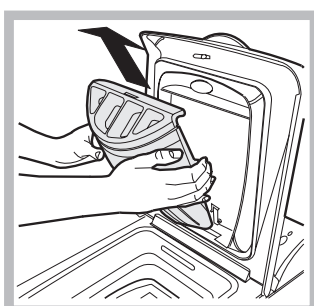
Starou zubnou kefkou vyčistite dávkovač pod kohútikom s tečúcou vodou (obr.3), vytiahnite pár sifónov uložených v hornej časti priehradiek 1 a 2 (obr. 4), skontrolujte či nie sú upchaté a umyte ich pod vodou.

### Spätná montáž:

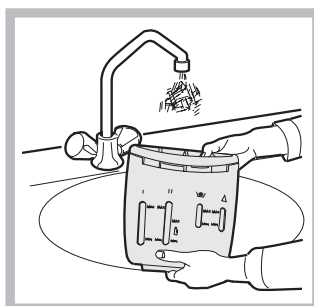
Nezabudnite vložiť na pôvodné miesto sifóny a potom vložte na pôvodné miesto aj dávkovač (obr. 4, 2, 1).



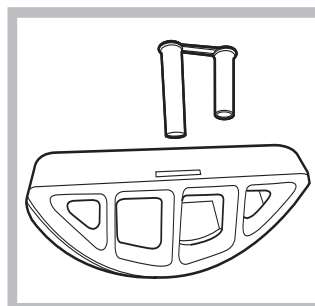
Obr. 1



Obr. 2



Obr. 3



Obr. 4



Môže sa stať, že práčka nebude fungovať. Pred obrátením sa telefonicky na servisnú službu (vid' str. 48), skontrolujte prostredníctvom nasledujúceho zoznamu, či sa nejedná o jednoducho odstrániteľný problém.


## Poruchy:

## Možné príčiny / Spôsob ich odstránenia:

**Práčku nie je možné zapnúť.**

- Zástrčka nie je zasunutá v zásuvke, alebo nie dostatočne na to, aby došlo k spojeniu kontaktov.
- V celom dome je vypnutý prúd.

**Nedochádza k zahájeniu pracieho cyklu.**

- Dvierka nie sú správne zatvorené (kontrolka Zablockovaný kryt bliká).
- Nebolo stlačené tlačidlo .
- Nebolo stlačené tlačidlo ŠTART/VYNULOVANIE.
- Nebol otvorený kohútik prívodu vody.

**Nedochádza k napúšťaniu vody do práčky.**

- Prívodná hadica nie je pripojená k vodovodnému kohútiku.
- Prívodná hadica je príliš ohnutá.
- Nebol otvorený kohútik prívodu vody.
- V celom dome je uzatvorený prívod vody.
- V rozvode vody nie je dostatočný tlak.
- Nebolo stlačené tlačidlo ŠTART/VYNULOVANIE.

**Dochádza k nepretržitému napúšťaniu a vypúšťaniu vody.**

- Vypúšťacia hadica sa nachádza mimo určeného rozmedzia od 65 do 100 cm nad zemou (vid' str. 39).
  - koncová časť vypúšťacej hadice je ponorená vo vode (vid' str. 39).
  - odpad v stene nie je vybavený zavzdušňovacím otvorom.
- Keď ani po uvedených kontrolách nedôjde k odstráneniu problému, uzatvorte prívod vody, vypnite práčku a privolajte servisnú službu. V prípade, že sa byt nachádza na jednom z najvyšších poschodí, je možné, že dochádza k sifónovému efektu, následkom čoho práčka nepretržite napúšťa a vypúšťa vodu. Na odstránenie uvedeného efektu sú v predaji bežne dostupné špeciálne protisifónové ventily.

**Nedochádza k vyčerpaniu vody alebo k odstredovaniu.**

- Odčerpanie vody netvorí súčasť nastaveného programu: u niektorých programov je potrebné jeho manuálne uvedenie do činnosti (vid' str. 42).
- Bola aktivovaná voliteľná funkcia Jednoduché žehlenie: dokončenie pracieho cyklu je možné po stlačení tlačidla ŠTART/VYNULOVANIE (vid' str. 43).
- Vypúšťacia hadica je príliš ohnutá (vid' str. 39).
- Odpadové potrubie je upchaté.

**Počas odstredovania je možné pozorovať silné vibrácie.**

- Počas inštalácie nebol bubon odistený predpísaným spôsobom (vid' str. 38).
- Práčka nie je vyrovnaná do vodorovnej polohy (vid' str. 38).
- Práčka je zatlačená medzi nábytkom a stenou (vid' str. 38).

**Dochádza k úniku vody z práčky.**

- Prívodná hadica nie je správne pripojená (vid' str. 38).
- Dávkovač pracích prostriedkov je upchatý (spôsob jeho vyčistenia – vid' str. 46).
- Vypúšťacia hadica nie je upevnená predpísaným spôsobom (vid' str. 39).

**Kontrolka ZAPNUTÉ/ZABLOKOVANÉ DVIERKA bliká rýchle spolu s aspoň jednou ďalšou kontrolkou.**

- Vypnite zariadenie a vytiahnite zástrčku zo zásuvky, vyčkajte 1 minútu a opätovne ho zapnite. Ak porucha pretrváva, obráťte sa na Servisnú službu.

**Dochádza k tvorbe nadmerného množstva peny.**

- Použitý prací prostriedok nie je vhodný pre použitie v automatickej práčke (musí obsahovať označenie „na pranie v práčke“, „na pranie v rukách alebo v práčke“ alebo podobné označenie).
- Bolo ho použité nadmerné množstvo.

SK

Inštalácia

Popis

Pracie programy

Pracie prostriedky

Opatrenia

Údržba

Poruchy

Servisná služba

# Servisná služba

SK

## **Pred privolaním servisnej služby:**

- Skontrolujte, či nie ste schopní poruchu odstrániť sami (*vid' str. 47*);
- Opätovne uveďte do chodu prací program, s cieľom overiť, či bola porucha odstránená;
- V opačnom prípade sa obráťte na autorizované centrum servisnej služby, na telefónnom čísle uvedenom na záručnom liste.

**!** Nikdy sa neobracajte so žiadosťou o pomoc na technikov, ktorí nie sú na vykonávanie tejto činnosti oprávnení.

## **Pri hlásení poruchy uveďte:**

- druh poruchy;
- model práčky (TmFz);
- výrobné číslo (S/N).

tieto informácie sú uvedené na typovom štítku, nachádzajúcom sa na zadnej strane práčky.





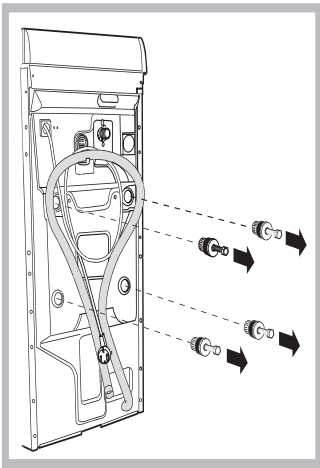


figura).

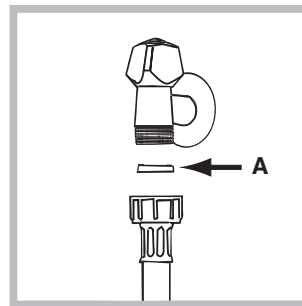


figura).

(vezi

(vezi

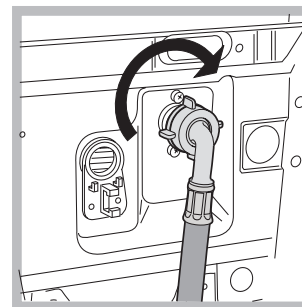
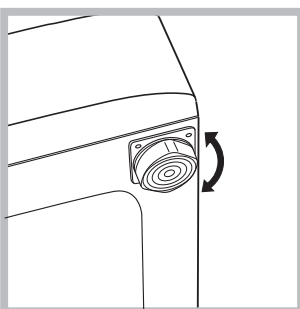


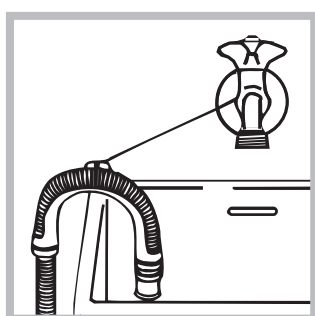
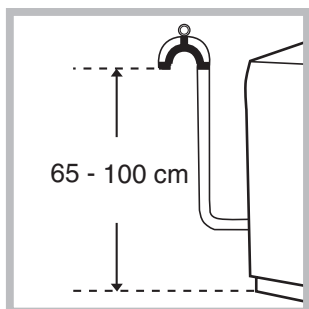
figura).

(vezi

(vezi pagina alăturată).



(vezi figura);




(vezi figura).

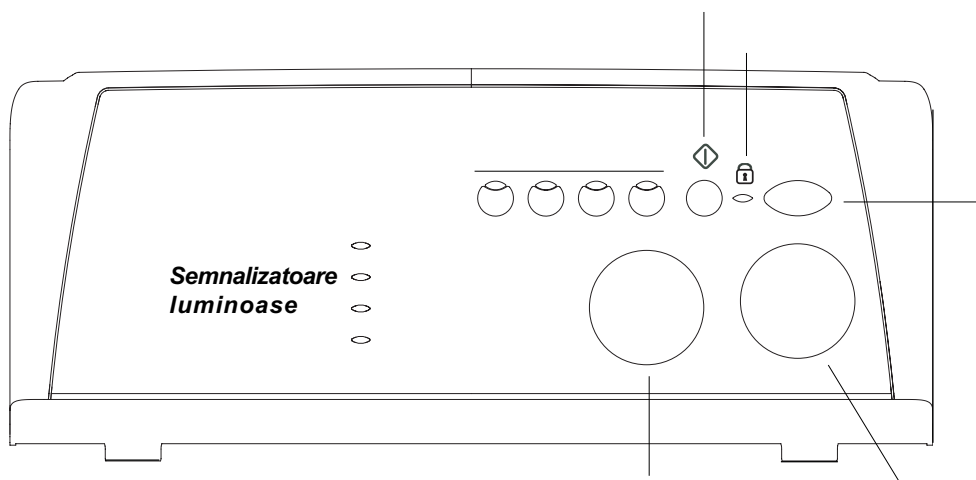
(vezi alături);

alături);

(vezi

### Date tehnice

<b>Model</b>	WITP 82
<b>Dimensiuni</b>	lărgime: 60 cm înălțime: 85 cm profundzime: 40 cm
<b>Capacitate</b>	de la 1 la 5 kg
<b>Legături electrice</b>	tensiune: 220/230 Volți 50 Hz putere maximă absorbită: 1850 W
<b>Legături hidrice</b>	presiune maximă: 1 MPa (10 bari) presiune minimă: 0,05 MPa (0,5 bari) capacitatea tamburului: 46 litri
<b>Turația de centrifugare</b>	până la 800 de rotații pe minut
<b>Programe de control în baza normei IEC456</b>	programul 2 temperatura 60°C; efectuată cu 5 kg de rufe.
	Acest aparat este conform cu următoarele Directive Comunitare: - 73/23/CEE din data de 19/02/73 (Tensiuni Joase) și modificări succesive - 89/336/CEE din data de 03/05/89 (Compatibilitate Electromagnetică) și modificări succesive
<b>Zgomot (dB(A) re 1 pW)</b>	Spălare: 66 Turație de centrifugare: 74



**Sertarul detergenților**  
(vezi pag. 56)

vezi pag. 52

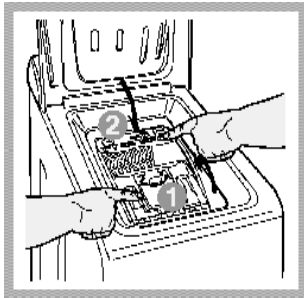
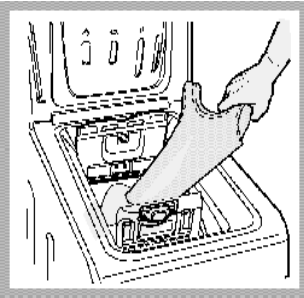
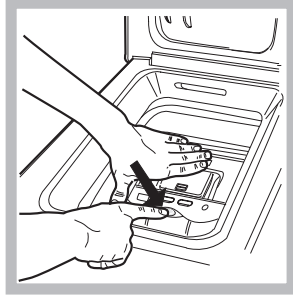
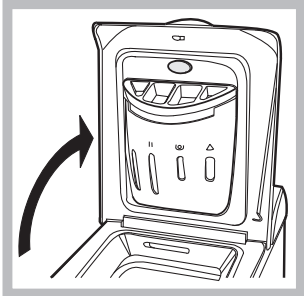
vezi pag. 54

(vezi pag. 55)



!






(vezi pag. 59)



①

56)

①

Tipul de țesătură și de murdărie	Programe	Temperatură	Detergent		Aditiv înmuiere	Opțiune Albire / Decolorant	Durata ciclului (minute)	Descrierea ciclului de spălare
			Presp.	Spăl.				
<b>Bumbac</b>								
Albe extrem de murdare (cearceafuri, fețe de masă, etc.)	1	90°C	•	•	•		137	Prespălare, spălare, clătiri, centrifugi intermediare și finale
Albe extrem de murdare (cearceafuri, fețe de masă, etc.)	2	90°C		•	•	Delicată / Tradiționale	129	Spălare, clătiri, centrifugi intermediare și finale
Albe și colorate rezistente foarte murdare	3	60°C		•	•	Delicată / Tradiționale	144	Spălare, clătiri, centrifugi intermediare și finale
Albe puțin murdare și culori delicate (cămăși, bluze, etc.)	4	40°C		•	•	Delicată / Tradiționale	78	Spălare, clătiri, centrifugi intermediare și finale
Colorate delicate puțin murdare	5	30°C		•	•	Delicată / Tradiționale	70	Spălare, clătiri, centrifugi intermediare și finale
<b>Sintetice</b>								
Culori rezistente foarte murdare (scutece pentru noi născuți, etc.)	6	60°C		•	•	Delicată	79	Spălare, clătiri, antișifonare sau centrifugare delicată
Culori rezistente foarte murdare (scutece pentru noi născuți, etc.)	7	50°C		•	•	Delicată	75	Spălare, clătiri, antișifonare sau centrifugare delicată
Culori delicate (rufe de toate tipurile puțin murdare)	8	40°C		•	•	Delicată	65	Spălare, clătiri, antișifonare sau centrifugare delicată
Culori delicate (rufe de toate tipurile puțin murdare)	9	30°C		•	•		30	Spălare, clătiri și centrifugare delicată
<b>Delicate</b>								
Lână	10	40°C		•	•	Delicată	45	Spălare, clătiri și centrifugare delicată
Țesături foarte delicate (perdele, mătase, vâscoză, etc.)	11	30°C		•	•		52	Spălare, clătiri, antișifonare sau scurgere
<b>PROGRAME PARȚIALE</b>								
Clătire					•	•		Clătiri și centrifugare
Clătire delicată					•	•		Clătiri, antișifonare sau descărcare apă
Centrifugare								Descărcare apă și centrifugare energică
Centrifugare delicată								Descărcare apă și centrifugare delicată
Descărcare								Descărcare





Zilnic 30'

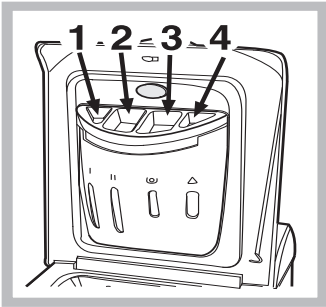
Se recomandă folosirea detergentului lichid.



la pag. 54).



Opțiune	Efect	Note pentru folosire	Activă cu programele:
<b>Antipată</b> 	Program de albire adecvat eliminării petelor persistente.	A se vărsa decolorantul în sertarul adițional 4 ( <i>a se vedea pag. 56</i> )	<b>2, 3, 4, 5, 6, 7, 8 Clătiri.</b>
<b>Extra Clătire</b> 	Mărește eficacitatea clătirii.	Se recomandă cu mașina plină sau cu doze mărite de detergent.	<b>1, 2, 3, 4, 5, 6, 7, 8 Clătiri.</b>
<b>800 400</b>	Reduce turația de centrifugare		<b>Toate cu excepția programului 11 și a evacuării</b>
<b>Antișifonare</b> 	Reduce pliurile la țesături facilitând călcarea.	Selectând această funcție, programele si Clătire delicată se întrerup cu rufele la înmuiat (antișifonare) iar indicatorul luminos de Clătire  va lumina intermitent. Pentru a completa programul, apăsați tasta Antișifonare.	<b>6, 7, 8, 10, 11 Clătire delicată.</b>



!

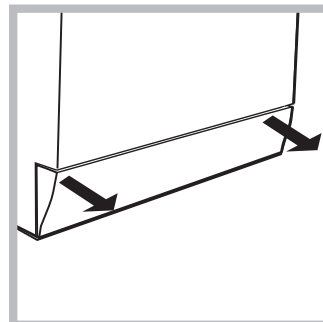
(vezi figura).



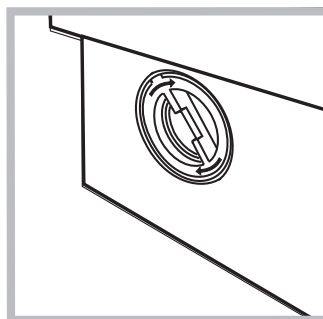




(vezi figura):



capacul  
rotindu-l în sens  
invers (vezi figura):  
este normal



!

!



Fig. 1

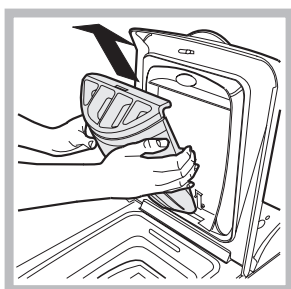


Fig. 2

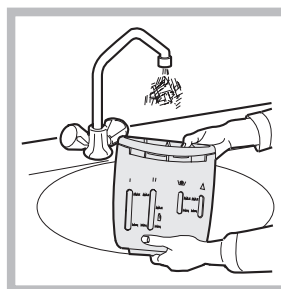


Fig. 3

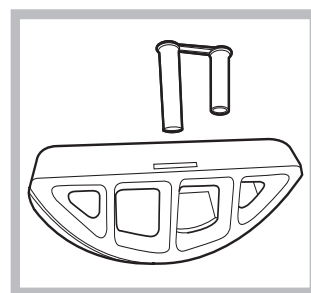


Fig. 4

*(vezi pag. 60)*

①

*(vezi pag. 51).*

*(vezi pag. 51).*

*(vezi pag. 54*

*(vezi pag. 55).  
(vezi pag. 51*

*(vezi pag. 60).  
(vezi pag. 60  
(vezi pag. 60*

*vezi pag. 50  
vezi pag. 58  
(vezi pag. 51*

---

• *vezi pag. 59);*

!

PL

Polski

WITP 82

## Spis treści

### Instalacja, 62-63

Rozpakowanie i wypoziomowanie, 62  
Podłączenie do sieci wodnej i elektrycznej, 62-63  
Pierwszy cykl prania, 63  
Dane techniczne, 63

### Opis pralki, 64-65

Panel kontrolny, 64  
Jak otwierać i zamykać kosz, 65  
Światelka sygnalizujące, 65

### Uruchomienie i Programy, 66

Krótko mówiąc: jak nastawić program, 66  
Tabela programów, 66

### Potrzeby indywidualne, 67

Nastawienie temperatury, 67  
Funkcje, 67

### Środki piorące i bielizna, 68

Szufladka na środki piorące, 68  
Cykl wybielania, 68  
Przygotowanie bielizny, 68  
Tkaniny wymagające szczególnej dbałości, 68  
Woolmark Platinum Care (Kaszmir Platinum), 68

### Zalecenia i środki ostrożności, 69

Ogólne zasady bezpieczeństwa, 69  
Usuwanie odpadów, 69  
Oszczędność i ochrona środowiska, 69

### Konserwacja, 70

Wyłączenie wody i prądu elektrycznego, 70  
Czyszczenie pralki, 70  
Czyszczenie szufladki na środki piorące, 70  
Czyszczenie drzwiczek i bębna, 70  
Czyszczenie pompy, 70  
Kontrola rury doprowadzania wody, 70  
Jak czyścić szufladkę środków piorących, 70

### Anomalie i środki zaradcze, 71

### Serwis Techniczny, 72

Przed zwróceniem się do Serwisu Technicznego, 72

# Instalacja

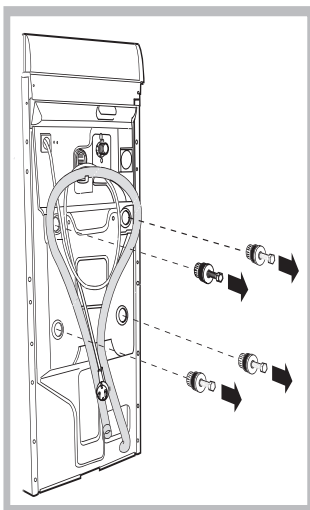
PL

! Należy zachować niniejszą książeczkę instrukcji dla przyszłych konsultacji. W razie sprzedaży, oddania, czy przeniesienia pralki w inne miejsce należy upewnić się, by przekazana została ona razem z instrukcją, aby nowy właściciel zapoznać się mógł z działaniem urządzenia i odpowiednimi informacjami.

! Należy uważnie przeczytać instrukcję obsługi, gdyż zawiera ona ważne informacje dotyczące instalacji oraz właściwego i bezpiecznego użytkowania pralki.

## Rozpakowanie i wypoziomowanie

### Rozpakowanie



1. Rozpakować pralkę.
2. Sprawdzić, czy nie doznała ona uszkodzeń w czasie transportu. Jeśli byłaby ona uszkodzona, nie podłączać jej i powiadomić sprzedawcę.
3. Odkręcić cztery śruby ochronne, zamocowane na czas transportu, oraz zdjąć gumową podkładkę z odpowiednią rozpórką, znajdujące się w tylnej ścianie i (zobacz rysunek).

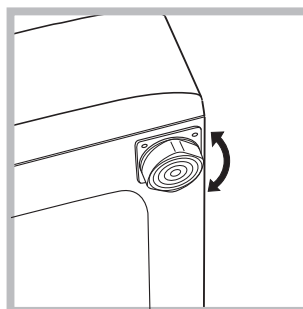
4. Zatkać otwory przy pomocy załączonych do pralki plastikowych zaślepek.

5. Zachować wszystkie te części: gdyby okazało się konieczne przewiezienie pralki w inne miejsce, powinny one zostać ponownie zamontowane.

**Uwaga:** w razie ponownego użycia krótsze śrubki powinny być przymocowane u góry.

! Części opakowania nie nadają się do zabawy dla dzieci

### Wypoziomowanie



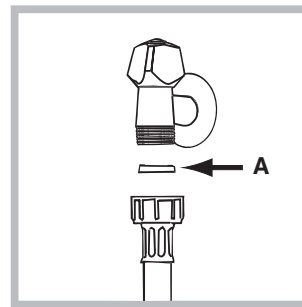
1. Ustawić pralkę na płaskiej i twardej podłodze; nie opierać jej o ściany, meble itp.
2. Jeśli podłoga nie jest dokładnie pozioma, należy wypoziomować pralkę, dokręcając lub odkręcając przednie

nóżki (zobacz rysunek). Kąt nachylenia, zmierzony na górnym blacie pralki, nie powinien przekraczać 2°.

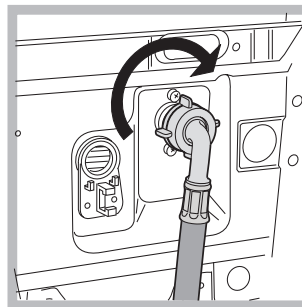
Staranne wypoziomowanie pralki zapewnia jej stabilność i zapobiega wibrowaniu, hałasom i przesuwaniu się urządzenia w czasie pracy. W razie ustawienia na dywanie lub wykładzinie dywanowej należy tak wyregulować nóżki, aby pod pralką pozostawała wolna przestrzeń niezbędna dla wentylacji.

## Podłączenie do sieci wodnej i elektrycznej

### Podłączenie rury pobierania wody



1. Wsunąć uszczelkę A do końcówki rury pobierania wody i przykręcić ją do kurka zimnej wody o gwintowanym otworze 3/4" (zobacz rysunek). Przed podłączeniem upuścić wodę, aż będzie zupełnie czysta i przeźroczysta.



2. Podłączyć rurę pobierania wody do pralki, przykręcając ją do odpowiedniego otworu pobierania wody, znajdującego się w tylnej ścianie pralki, z prawej strony u góry (zobacz rysunek).

3. Zwrócić uwagę, by na rurze nie było zgięć ani ściśnieć.

! Ciśnienie hydrauliczne kurka powinno mieścić się w przedziale podanym w tabeli Danych technicznych (zobacz na sąsiedniej stronie).

! Jeśli rura doprowadzania wody okazałaby się za krótka, należy zwrócić się do wyspecjalizowanego sklepu lub do upoważnionego fachowca.

## Podłączenie rury usuwania wody

Podłączyć rurę usuwania wody, bez zginania jej, do przewodu ściekowego lub do ścieku w ścianie, które powinny znajdować się na wysokości od 65 do 100 cm od podłogi;

lub oprzeć ją na brzegu zlewu lub wanny, przymocowując do kranu załączony do pralki przewód (zobacz rysunek). Wolny koniec rury usuwania wody nie powinien pozostawać zanurzony w wodzie.

! Odradza się używanie rur-przedłużaczy; jeśli przedłużacz jest jednak konieczny, powinien mieć on ten sam przekrój, co rura oryginalna, i nie powinien przekraczać 150 cm długości.

## Podłączenia elektryczne

Przed wprowadzeniem wtyczki do gniazdka należy upewnić się, czy:

- gniazdko ma odpowiednie uziemnienie i czy odpowiada obowiązującym przepisom;
- gniazdko jest w stanie wytrzymać obciążenie maksymalnej mocy urządzenia, podanej w tabeli Danych Technicznych (zobacz obok);
- napięcie prądu elektrycznego w sieci zgodne jest z danymi podanymi w tabeli Danych Technicznych (zobacz obok);
- gniazdko odpowiada wtyczce pralki. W przeciwnym razie należy wymienić gniazdko lub wtyczkę.

! Nie należy instalować pralki na otwartym powietrzu, nawet jeśli miejsce to jest chronione daszkiem, gdyż wystawienie urządzenia na działanie deszczu i burz, jest bardzo niebezpieczne.

! Po zainstalowaniu pralki gniazdko elektryczne powinno być łatwo dostępne.

! Nie używać przedłużaczy ani wtyczek wielokrotnych.

! Kabel nie powinien mieć zgięć ani nie powinien być zgnieciony.

! Kabel zasilania elektrycznego może być wymieniony wyłącznie przez upoważnionego technika specjalistę.

Uwaga! Producent uchyla się od wszelkiej odpowiedzialności, jeśli nie przestrzega się powyższych zasad.

## Pierwszy cykl prania

Po zainstalowaniu, zanim zaczniesz się używać pralki, należy wykonać jeden cykl prania ze środkiem piorącym, lecz bez bielizny, nastawiając program na 90°C bez prania wstępnego.

PL

Instalacja

Opis

Programy

Środki piorące

Zasady ostrożności

Konserwacja

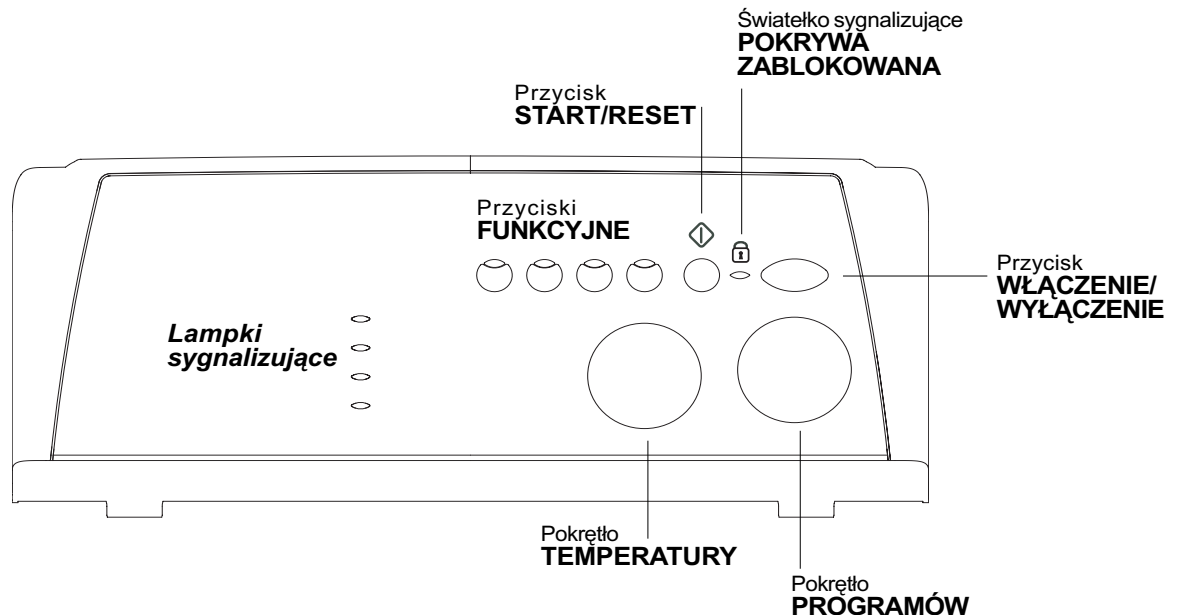
Nieprawidłowości w działaniu

Serwis techniczny

# Opis pralki

PL

## Panel kontrolny



**Szufladka na środki piorące** służy do wsypania środków piorących i dodatków (zobacz str. 68).

**Lampki sygnalizujące** umożliwiają śledzenie stanu postępowania programu prania. (zobacz str. 65).

Przyciski **FUNKCJA** służą do wybrania pożądaných funkcji. Przycisk odnoszący się do wybranej funkcji zaświeci się po jej nastawieniu.

Pokrętko **TEMPERATURA** służy do ustawienia temperatury prania lub nastawienia prania w zimnej wodzie (zobacz str. 67).

Przycisk **WŁĄCZENIE/WYŁĄCZENIE** służy do włączania i wyłączenia pralki.

Przycisk **START/RESET** służy do uruchamiania programów lub do anulowania błędnie nastawionych.

Światelko sygnalizujące **WŁĄCZENIE/POKRYWA ZABLOKOWANA** służy do zrozumienia, czy pralka jest włączona (lampa pulsująca) i czy można otworzyć pokrywę (światło stałe) (patrz str. 64).

Pokrętko **PROGRAMY** do nastawiania programów (patrz str. 66).

W czasie trwania programu pokrętko pozostaje nieruchome.

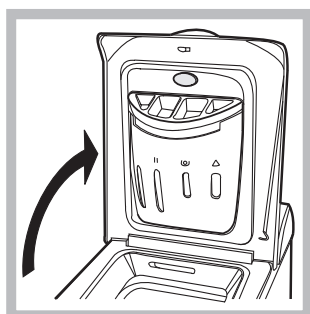
### **Światelko sygnalizujące ZAPALENIE/ZABLOKOWANE DRZWICZKI:**

To światelko sygnalizacyjne zapalone wskazuje, że drzwiczki pralki są zablokowane, aby zapobiec przypadkowemu ich otwarciu; aby uniknąć szkód należy odczekać do momentu, w którym światelko zacznie pulsować, po czym można otworzyć drzwiczki.

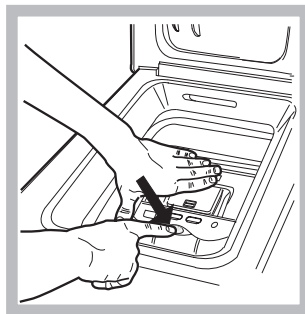
! Szybkie pulsowanie światelka ZAPALENIE/ZABLOKOWANE DRZWICZKI przy jednoczesnym pulsowaniu przynajmniej jeszcze jednego innego światelka sygnalizacyjnego wskazuje nieprawidłowe działanie pralki. (zobacz str. 71).



## Jak otwierać i zamykać kosz



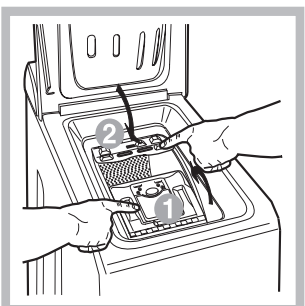
Rys. 1



Rys. 2



Rys. 3



Rys. 4

**A) OTWIERANIE. (Rys.1).** Podnieść zewnętrzną pokrywę i całkowicie ją otworzyć.

**B) Następnie otworzyć bęben, pomagając sobie obiema rękami, jak pokazano na Rys. 2):**

- przycisnąć wskazany strzałką na Rys. 2 przycisk i lekko docisnąć w dół, trzymając opartą jedną dłoń, aby drzwiczki otwierając się nie zraniły palców;
- powoli poluzować drzwiczki, które się zwolnią i łatwo otworzą.

**C) WKŁADANIE BIELIZNY. (Rys.3)**

**D) ZAMKNIĘCIE. (Rys.4)**

- dobrze zamknąć drzwiczki, opuszczając najpierw drzwiczki przednie i opierając na nich drzwiczki tylne;
- upewnić się, czy zaczepy przednich drzwiczek dobrze weszły na swoje miejsce w tylnych drzwiczkach;
- po usłyszeniu charakterystycznego "Klik", co świadczy o zaskoczeniu zaczepów, lekko docisnąć oboje drzwiczek, które nie powinny się rozczepić.;
- na zakończenie zamknąć klapę zewnętrzną.

## Światelka sygnalizujące

Światelka sygnalizujące dostarczają ważnych informacji.

Informują one, co następuje:

### Aktualna faza prania:

W trakcie cyklu prania poszczególne światelka będą się zapalać, wskazując stan zaawansowania prania w toku:

- Pranie wstępne
- Pranie
- Płukanie
- Odwirowanie

Uwaga: w fazie usuwania wody zapali się światelko odpowiadające fazie Wirowania.

### Przyciski funkcyjne

PRZYCISKI FUNKCYJNE służą również jako światelka sygnalizujące.

Po wybraniu danej funkcji zaświeci się odpowiedni przycisk.

Jeśli wybrana funkcja nie może być nastawiona razem z wybranym programem, przycisk funkcji będzie migotał, a funkcja nie zostanie uruchomiona. Jeśli nastawiona zostanie funkcja sprzeczna z uprzednio wybraną inną funkcją, tylko jeden wybór będzie przyjęty.

PL

Instalacja

Opis

Programy

Środki piorące

Zasady ostrożności

Konserwacja


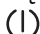
Nieprawidłowości w działaniu

Serwis techniczny






# Uruchomienie i Programy

PL

## Krótko mówiąc: jak nastawić program

1. Włączyć pralkę, przyciskając przycisk . Wszystkie światła sygnalizacyjne zapalą się na kilka sekund, a następnie zgasną, po czym zaczną migotać światła sygnalizacyjne WŁĄCZENIE/ZABLOKOWANE DRZWICZKI.
2. Włożyć bielinę do pralki, wsypać proszek i dodatki (patrz str. 68) i zamknąć pokrywę.
3. Nastawić żądany program przy pomocy pokrętki PROGRAMÓW.
4. Nastawić temperaturę prania (zobacz str. 67).
5. Uruchomić program, przyciskając przycisk START/RESET. Aby anulować program, należy trzymać przyciśnięty przycisk START/RESET przez co najmniej 2 sekundy.
6. Po zakończeniu programu światło sygnalizacyjne WŁĄCZENIE/ZABLOKOWANE DRZWICZKI zaczną migotać, co wskazuje, że można otworzyć drzwiczki. Wyjąć bieliznę i pozostawić drzwiczki pralki uchylone, aby bęben mógł wyschnąć. Wyłączyć pralkę, przyciskając przycisk .

## Tabela programów

			Pranie wstępne	Pranie właściwe				
Bielizna biała silnie zabrudzona (pościel, obrusy itp.)		90°C	•	•	•		137	Pranie wstępne, pranie właściwe, płukania, odwirowania pośrednie i końcowe
Bielizna biała silnie zabrudzona (pościel, obrusy itp.)		90°C		•	•	Delikatne / Tradycyjny	129	Pranie, płukania, odwirowania pośrednie i końcowe
Bielizna biała i kolorowa, wytrzymała, mocno zabrudzona		60°C		•	•	Delikatne / Tradycyjny	144	Pranie, płukania, odwirowania pośrednie i końcowe
Bielizna biała, słabo zabrudzona oraz kolorowa delikatna (koszule, bluzki itp.)		40°C		•	•	Delikatne / Tradycyjny	78	Pranie, płukania, odwirowania pośrednie i końcowe
Tkaniny kolorowe, delikatne, mało zabrudzone		30°C		•	•	Delikatne / Tradycyjny	70	Pranie, płukania, odwirowania pośrednie i końcowe
Tkaniny syntetyczne o wytrzymałych kolorach, silnie zabrudzone (bielizna dla niemowląt itp.)		60°C		•	•	Delikatne	79	Pranie, płukania, funkcja przeciw gnicieniu lub delikatne odwirowanie
Tkaniny syntetyczne o wytrzymałych kolorach, silnie zabrudzone (bielizna dla niemowląt itp.)		50°C		•	•	Delikatne	75	Pranie, płukania, funkcja przeciw gnicieniu lub delikatne odwirowanie
Tkaniny syntetyczne o delikatnych kolorach (wszystkie rodzaje bielizny, lekko zabrudzonej)		40°C		•	•	Delikatne	65	Pranie, płukania, funkcja przeciw gnicieniu lub delikatne odwirowanie
Tkaniny syntetyczne o delikatnych kolorach (wszystkie rodzaje bielizny, lekko zabrudzonej)		30°C		•	•		32	Pranie, płukania i delikatne odwirowanie
Włna		40°C		•	•	Delikatne	45	Pranie, płukania i delikatne odwirowanie
Ubrania i tkaniny wyjątkowo delikatne (firanki, jedwab, wiskoza itp.)		30°C		•	•		52	Pranie, płukania, funkcja przeciw gnicieniu lub opróżnienie z wody
Płukanie					•	•		Płukania i odwirowanie
Płukanie delikatne					•	•		Płukania, funkcja przeciw gnicieniu lub opróżnienie z wody
Odwirowanie								Opróżnienie z wody i energiczne odwirowanie
Odwirowanie delikatne								Opróżnienie z wody i delikatne odwirowanie
Opróżnienie z wody								Opróżnienie z wody

### Uwagi.


Opis funkcji przeciw gnicieniu się tkanin, zobacz Łatwiejsze prasowanie, na następnej stronie. Podane w tabeli dane mają charakter przybliżony.

### Program specjalny.

*Dzienny 30'* (program 9 dla tkanin syntetycznych) przeznaczony jest do prania bielizny mało zabrudzonej w krótkim czasie: trwa tylko 30 minut i pozwala dzięki temu na zaoszczędzenie energii i czasu.

Nastawiając program (9 o temperaturze 30°C) można razem wyprać różnego rodzaju tkaniny (z wyjątkiem wełny i jedwabiu), przy maksymalnym załadunku do 3kg. *Zalecamy stosowanie płynnego środka piorącego.*

## **Nastawienie temperatury**

Temperaturę prania nastawia się, obracając pokrętko TEMPERATURY (zobacz Tabelę programów *na str. 66*).  
Temperaturę można zredukować, aż do prania w zimnej wodzie .

W celu uniknięcia nadmiernych wibracji przed każdym odwirowaniem pralka rozkłada ciężar wsadu w sposób jednolity, następuje to poprzez wykonywanie stałych obrotów kosza z predkoscia nieco wyższa od obrotów podczas prania.

Kiedy jednak, niezależnie od powtarzanych prób, wsad nie zostanie rozłożony równomiernie, maszyna wykona wirowanie z predkoscia niższa od zaprogramowanej.

W przypadku pojawienia się nadmiernego nierównowazenia maszyna będzie próbowała rozłożyć wsad zamiast odwirowywać.




Ewentualne próby zrównowazenia wsadu mogą wydłużyć łączny czas trwania cyklu o maksimum 10 minut.

## **Funkcje**

Różne funkcje, w jakie wyposażona jest pralka, pozwalają na osiągnięcie pożądanych rezultatów prania. Aby uaktywnić poszczególne funkcje, należy postępować w następujący sposób:

1. przycisnąć odpowiadający pożądanej funkcji przycisk, zgodnie z poniższą tabelą;
2. zaświecenie się odpowiedniego przycisku oznacza, że funkcja jest aktywna.

Uwaga: Szybkie migotanie przycisku oznacza, że danej funkcji nie można nastawić przy wybranym programie.

	Cykl wybielania pomocny przy usuwaniu wytrzymałych plam.	Należy pamiętać o dodaniu wybielacza do dodatkowego pojemnika 4 (zobacz str .68).	
	Zwiększa skuteczność płukania.	Zaleca się stosowanie tej opcji przy pralce załadowanej do pełna lub przy dużej ilości użytego środka piorącego.	
	Zmniejsza szybkość wirowania.		
	Zmniejsza gnienie się tkanin, ułatwiając prasowanie.	Po nastawieniu tej opcji programy 6,7,8,10,11 oraz Delikatne płukanie przerywają się, pozostawiając bieliznę namoczoną w wodzie. Funkcja Przeciw gnieniu i zacznie migotać dioda płukania: Aby zakończyć cykl prania, przyciąć przycisk	

PL

Instalacja

Opis

Środki piorące

Konserwacja

Nieprawidłowości

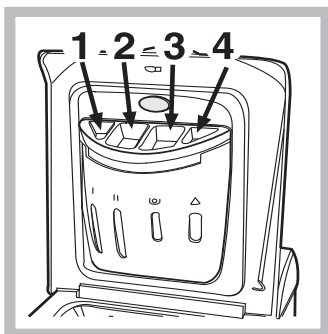
Serwis techniczny

# Środki piorące i bielizna

PL

## Szufladka na środki piorące

Dobre rezultaty prania zależą również od właściwego dozowania środka piorącego: wysypując go za dużo, wcale nie poprawia się wydajności



prania, lecz przyczynia się do odkładania się nalotów na wewnętrznych częściach pralki i do zanieczyszczenia środowiska.

Wysunąć szufladkę i wsypać do niej środki piorące i dodatkowe w następujący sposób

**przegródka 1: Środek piorący do prania wstępnego (w proszku)**

**przegródka 2: Środek piorący (w proszku lub w płynie)**

Środek piorący w płynie należy włożyć bezpośrednio do bębna z zastosowaniem odpowiedniej kulki dozującej.

**!** Nie używać środków do prania ręcznego, ponieważ tworzą za dużo piany.

**przegródka 3: Środki dodatkowe (zmiękczające, itp.)**

Kiedy wlewa się środek zmiękczający do przegrodki 3, to należy zwrócić uwagę, aby nie przekroczyć oznaczonego poziomu "max". Środek zmiękczający jest automatycznie dodawany do wody podczas ostatniego płukania. Na zakończenie tego programu prania w przegrodce 3 pozostaje reszta wody. Służy ona dla skoncentrowanych środków zmiękczających, to znaczy do ich rozprowadzenia z wodą. Jeśli w przegrodce 3 pozostało więcej wody niż zwykle, oznacza to, że urządzenie dozujące jest zatkane. Jak je wyczyścić patrz strona 70.



**przegródka 4: Wybielacz**

## Cykl wybielania

**Tradycyjnego** wybielacza używa się do białych tkanin wytrzymałych, **delikatnego** - do tkanin kolorowych, syntetycznych i do wełny.

Przy wlewaniu wybielacza nie należy przekroczyć poziomu „max” wskazanego na środkowej ośce (zobacz rysunek).

Aby wykonać tylko fazę wybielania, należy włąć

wybielacz do 4 przegrodki, nastawić program Płukania  marchia wcisnąc przycisk – Funkcja Usuwały Plamę .

## Przygotowanie bielizny

- Podzielić bieliznę do prania według:
  - rodzaju tkaniny / symbolu na etykietce.
  - kolorów: oddzielić bieliznę kolorową od białej.
- Opróżnić kieszenie i sprawdzić guziki.
- Nie przekraczać wskazanego ciężaru bielizny suchej:
  - Tkaniny wytrzymałe: max 5 kg
  - Tkaniny syntetyczne: max 2,5 kg
  - Tkaniny delikatne: max 2 kg
  - Wełna: max 1 kg

## Ile waży bielizna?

- 1 prześcieradło 400-500 gr.
- 1 powłoczka na poduszkę 150-200 gr.
- 1 obrus 400-500 gr.
- 1 szlafrok 900-1.200 gr.
- 1 ręcznik 150-250 gr.

## Tkaniny wymagające szczególnej dbałości

**Firanki:** włożyć je złożone do poszewki lub do siatkowatego worka. Prać same, nie przekraczając połowy załadunku. Stosować program 11, który automatycznie wyklucza wirowanie.

**Poduszki i kurtki:** Jeśli wypełnione są one pierzem gęsim lub kaczym, można je prać w pralce. Wywrócić na lewą stronę i załadować nie więcej niż 2-3 kg; powtórzyć płukania jeden lub dwa razy i stosować delikatne odwirowanie.

**Tenisówki:** oczyścić z błota. Można je prać razem z dżinsami i bielizną wytrzymałą, lecz nie białą.

**Wełna:** Aby uzyskać dobre rezultaty prania, należy stosować specjalny środek piorący i nie przekraczać 1 kg załadunku.

# Zalecenia i środki ostrożności



! Pralka została zaprojektowana i wyprodukowana zgodnie z międzynarodowymi przepisami bezpieczeństwa. Powinniście je uważnie przeczytać. Podajemy Wam poniższe zalecenia, mając na względzie Wasze bezpieczeństwo, i powinniście je uważnie przeczytać.

## Ogólne zasady bezpieczeństwa

- Niniejsze urządzenie zaprojektowane zostało do użytku domowego, a nie zawodowego i nie należy zmieniać jego przeznaczenia ani funkcji.
- Pralki powinny używać wyłącznie osoby dorosłe i w sposób zgodny z podanymi w niniejszej książeczce instrukcjami.
- Nie dotykać pralki, stojąc przy niej boso lub mając ręce czy stopy mokre lub wilgotne.
- Nie wyjmować wtyczki z gniazdka, ciągnąc za kabel, lecz trzymając za wtyczkę.
- Nie dotykać usuwanej wody, gdyż może być ona bardzo gorąca.
- W żadnym wypadku nie otwierać drzwiczek pralki na siłę: mógłby bowiem ulec uszkodzeniu mechanizm zabezpieczający drzwiczki przed przypadkowym otwarciem.
- W razie usterek nie należy w żadnym wypadku próbować dostać się do wewnętrznych części pralki, próbując samemu ją naprawiać.
- Skontrolować zawsze, by dzieci nie zbliżyły się do pracującej pralki.
- Jeśli trzeba przenieść pralkę w inne miejsce, należy to robić bardzo ostrożnie w kilka osób. Nigdy nie należy tego robić samemu, gdyż pralka jest bardzo ciężka.
- Przed włożeniem bielizny sprawdzić, czy bęben jest pusty.

## Usuwanie odpadów

- Pozbycie się materiałów opakowania: stosować się do lokalnych przepisów; w ten sposób opakowanie będzie mogło zostać ponownie wykorzystane.
- Pozbycie się starej pralki: przed oddaniem jej na złom należy ją uniezdadnić do użytku odcinając kabel elektryczny i wyjmując drzwiczki.

## Oszczędność środka piorącego, wody, energii i czasu

- Aby nie trwonić zasobów, należy używać pralki załadowanej do pełna. Jedno załadowane do pełna pranie, zamiast dwóch załadowanych do połowy, pozwala na zaoszczędzenie aż do 50% energii.
- Pranie wstępne konieczne jest tylko w przypadku bielizny bardzo brudnej. Unikanie prania wstępnego pozwala na zaoszczędzenie środka piorącego; czasu, wody oraz od 5 do 15% energii.
- Wywabiając plamy odplamiaczem i pozostawiając bieliznę namoczoną w wodzie przed praniem, można zredukować temperaturę prania. Stosując program 60°C zamiast 90°C lub program 40°C zamiast 60°C, można zaoszczędzić aż do 50% energii.
- Dokładne dozowanie środka piorącego w zależności od twardości wody, stopnia zabrudzenia i ilości bielizny pozwala uniknąć jego trwonienia i wychodzi na korzyść środowisku: środki piorące, mimo że ulegają biodegradacji, zawsze zawierają jednak składniki, które zakłócają środowisko naturalne. Należy również unikać, gdy jest to możliwe, środka zmiękczającego.
- Jeśli bielizna ma być wysuszona w suszarce, należy wybrać wysoką szybkość odwirowania. Dobrze odwirowana z wody bielizna pozwala na zaoszczędzenie czasu i energii przy suszeniu.

PL

Instalacja

Opis

Programy

Środki piorące

Zasady ostrożności

Konserwacja

Nieprawidłowości w działaniu

Serwis techniczny

# Konserwacja

PL

## Wyłączenie wody i prądu elektrycznego

- Zamknąć kurek dopływu wody po każdym praniu. Zmniejsza się w ten sposób zużycie instalacji hydraulicznej pralki oraz niebezpieczeństwo przecieków.
- Wyjąć wtyczkę z kontaktu przed przystąpieniem do czyszczenia pralki oraz czynności konserwacyjnych.

## Czyszczenie pralki

Obudowę zewnętrzną i gumowe części pralki należy myć wilgotną ściereczką zmoczoną w wodzie z mydłem. Nie stosować rozpuszczalników ani ostrych i ściernych środków czyszczących.

## Czyszczenie szufladki na środki piorące

Wysunąć szufladkę, unosząc ją lekko ku górze i wyciągając na zewnątrz (zobacz rysunek). Wypłukać ją pod bieżącą wodą. Czynność tę należy powtarzać stosunkowo często.

## Czyszczenie drzwiczek i bębna

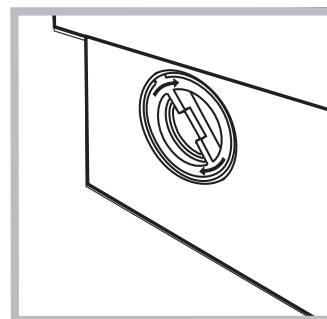
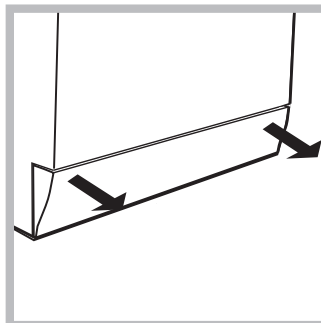
- Należy zawsze pozostawiać uchylone drzwiczki pralki, aby zapobiec tworzeniu się przykrych zapachów.

## Czyszczenie pompy

Pralka wyposażona jest w pompę samooczyszczającą, która nie wymaga zabiegów konserwacyjnych. Może się jednak zdarzyć, że małe przedmioty (monety, guziki) wpadną do przedsionka ochronnego pompy, znajdującego się w jej dolnej części.

! Upewnić się, by cykl prania był zakończony i by wtyczka była wyjęta z gniazdka.

Aby odzyskać ewentualne przedmioty, które upadły do wstępnej komory:



1. Odczepić dolny cokół w przedniej części pralki pociągając rękoma jej boczne końce (patrz rysunek);
2. odkręcić przykrywkę, obracając ją w kierunku przeciwnym do ruchu wskazówek zegara (zobacz rysunek): fakt, że wypłynie trochę wody, jest zjawiskiem normalnym;
3. dokładnie wyczyścić wnętrze;
4. ponownie przykręcić przykrywkę;
5. ponownie przymocować panel, pamiętając o wsunięciu zaczepów w odpowiednie otwory

przed dopchnięciem go do urządzenia.

## Kontrola rury doprowadzania wody

Przynajmniej raz do roku należy skontrolować rurę doprowadzania wody. Jeśli widoczne są na niej rysy i pęknięcia, należy ją wymienić: w trakcie prania duże ciśnienie może bowiem spowodować jej nagłe zerwanie się.

! Nigdy nie instalować rur używanych.

## Jak czyścić szufladkę środków piorących

### Wymontowanie:

Lekko przycisnąć duży przycisk w przedniej części szufladki środków piorących i pociągnąć ją do góry (Rys.1).

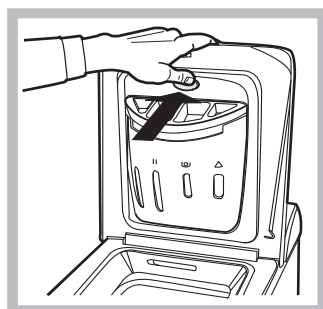
### Czyszczenie:

Wymyć szufladkę pod bieżącą wodą (Rys.3), pomagając sobie starą szczoteczką do zębów i po wyjęciu pary syfonków znajdujących się w górnej części przegródek 1 i 2 (Rys.4), sprawdzić, czy nie są one zatkane i wypłukać je.

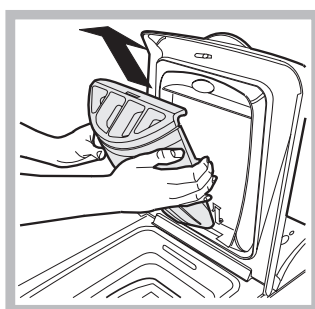
### Ponowne zamontowanie:

#### zamontowanie:

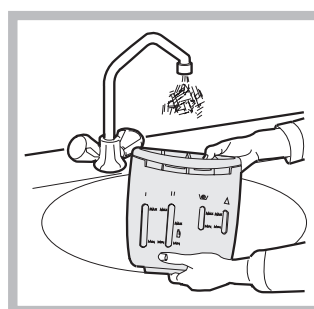
Po włożeniu pary syfonków, wstaw szufladkę na swoje miejsce, zaczepiając ją (Rys. 4, 2, 1).



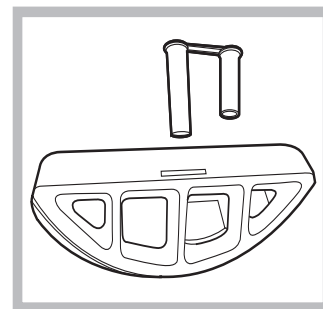
Ris. 1



Ris. 2



Ris. 3



Ris. 4



Może się zdarzyć, że pralka nie działa. Zanim wezwie się Serwis Techniczny (zobacz str. 72) należy sprawdzić, czy problemu tego nie da się łatwo rozwiązać samemu, pomagając sobie poniższym wykazem.


## Nieprawidłowości w działaniu:

## Możliwe przyczyny/Porady:

**Pralka się nie włącza.**

- Wtyczka nie jest włączona do gniazdka, lub jest wsunięta niedostatecznie, tak że nie ma kontaktu.
- W domu brak jest prądu.

**Cykl prania nie zaczyna się.**

- Drzwiczki nie są dobrze zamknięte (lampka Pokrywka Zablokowana miga).
- Nie został przyciśnięty przycisk .
- Nie został przyciśnięty przycisk START/RESET.
- Kurek dopływu wody jest zamknięty.
- Nastawione zostało opóźnione uruchomienie (Delay Timer, zobacz str. 67).

**Pralka nie pobiera wody.**

- Rura pobierania wody nie jest podłączona do kurka.
- Rura jest zgięta.
- Kurek dopływu wody jest zamknięty.
- W domu brak jest wody.
- Ciśnienie wody nie jest wystarczające.
- Nie został przyciśnięty przycisk START/RESET.

**Pralka pobiera i usuwa wodę bez przerwy.**

- Rura usuwania wody nie została zainstalowana na wysokości od 65 do 100 cm od podłogi (zobacz str. 63).
- Końcówka rury usuwania wody jest zanurzona w wodzie (zobacz str. 63).
- Usuwanie wody bezpośrednio w ścianie nie posiada odpowietrznika.

Jeśli po skontrolowaniu tych pozycji nieprawidłowość nadal się utrzymuje, należy zamknąć kurek dopływu wody, wyłączyć pralkę i wezwać Serwis Techniczny. Jeśli mieszkanie znajduje się na najwyższych piętrach budynku, może zaistnieć efekt "syfonu", w wyniku czego pralka nieustannie pobiera i usuwa wodę. W celu wyeliminowania tej niedogodności w handlu dostępne są specjalne zawory.

**Pralka nie usuwa wody i nie odwirowuje.**

- Program nie przewiduje usuwania wody: przy niektórych programach należy uruchomić je manualnie (zobacz str. 66).
- Została nastawiona funkcja Łatwiej prasować: aby zakończyć program, należy przycisnąć przycisk START/RESET (zobacz str. 67).
- Rura usuwania wody jest zgięta (zobacz str. 63).
- Rura usuwania wody jest zatkana.

**Pralka mocno wibruje w fazie odwirowywania.**

- Bęben, w chwili instalacji pralki, nie został odpowiednio odblokowany (zobacz str. 62).
- Pralka nie jest ustawiona dokładnie w poziomie (zobacz str. 62).
- Pralka jest wciśnięta między meble i ścianę (zobacz str. 62).

**Z pralki wycieka woda.**

- Rura doprowadzania wody nie jest dobrze przykręcona (zobacz str. 62).
- Szufladka na środki piorące jest zatkana (aby ją oczyścić, zobacz str. 70).
- Rura usuwania wody nie jest dobrze przymocowana (zobacz str. 63).

**Wskaźnik WŁĄCZENIE/ ZABLOKOWANE DRZWICZKI zaczyna szybko migotać razem z conajmniej jednym innym światłem sygnalizacyjnym.**

- Wyłączyć maszynę i wyjąć wtyczkę z gniazdka, odczekać około 1 minuty, następnie włączyć ponownie.
- Jeśli niedogodność nie ustępuje wezwać Serwis.

**Tworzy się zbyt wiele piany.**

- Środek piorący nie jest odpowiedni do pralek automatycznych (na opakowaniu musi być napisane: "do pralek", "do prania ręcznego i pralek" lub podobne).
- Użyto za dużo środka piorącego.

PL

Instalacja

Opis

Programy

Środki piorące

Zasady ostrożności

Konserwacja

Nieprawidłowości w działaniu

Serwis techniczny

---

**Przed zwróceniem się do Serwisu Technicznego:**

- Sprawdzić, czy problemu nie można rozwiązać samemu (